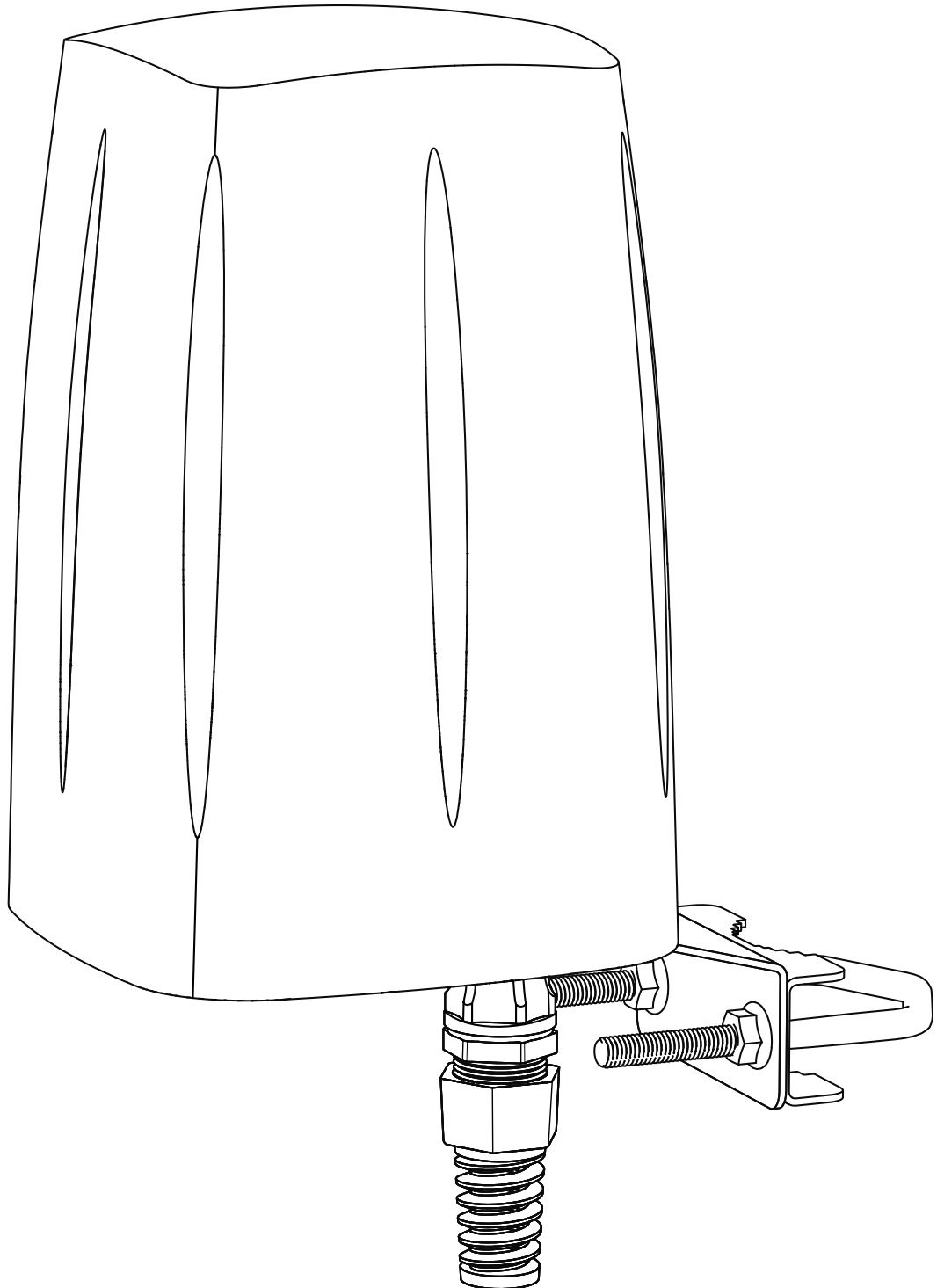
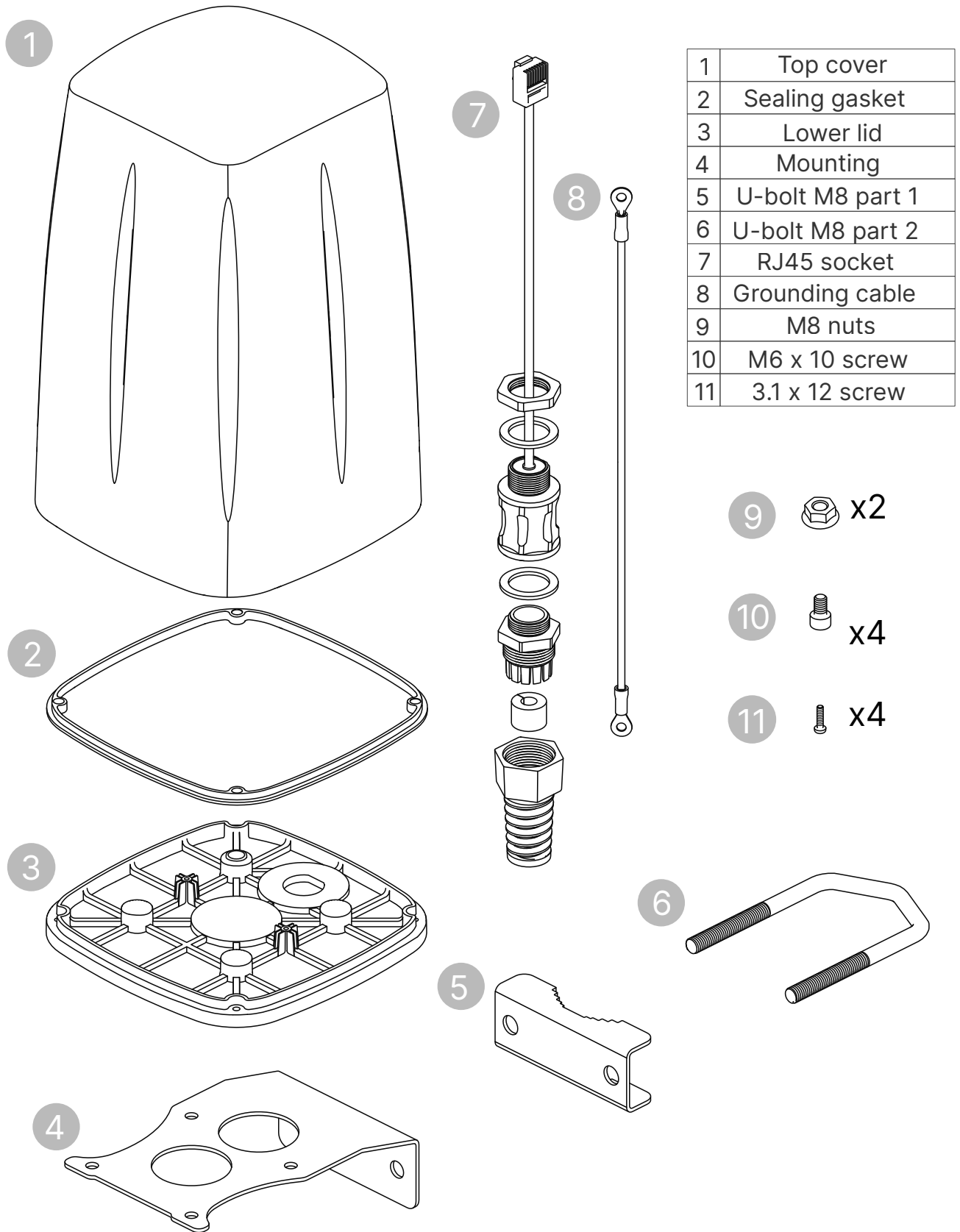


QUICK INSTALLATION GUIDE

Outdoor LTE/Wi-Fi antenna for RUT2-series routers
RUT200, RUT240, RUT241, RUT260




WHAT'S INSIDE



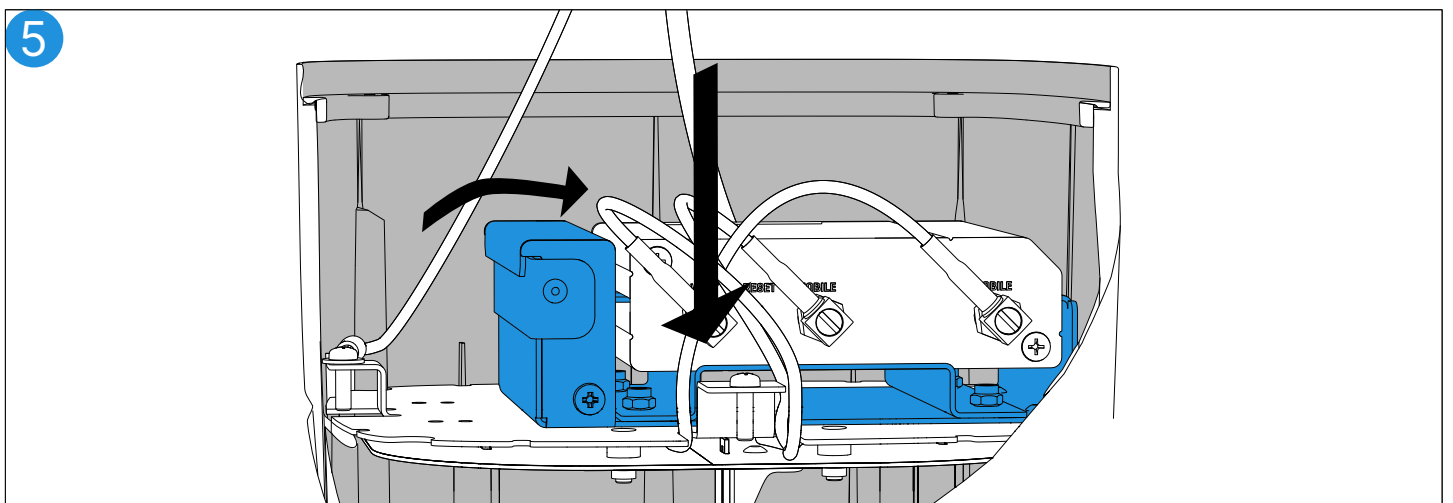
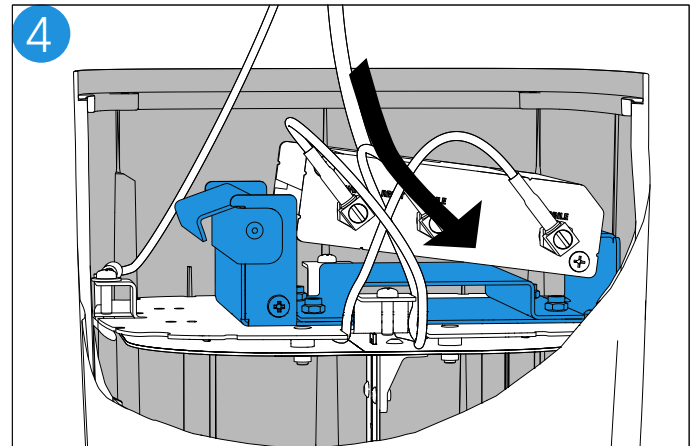
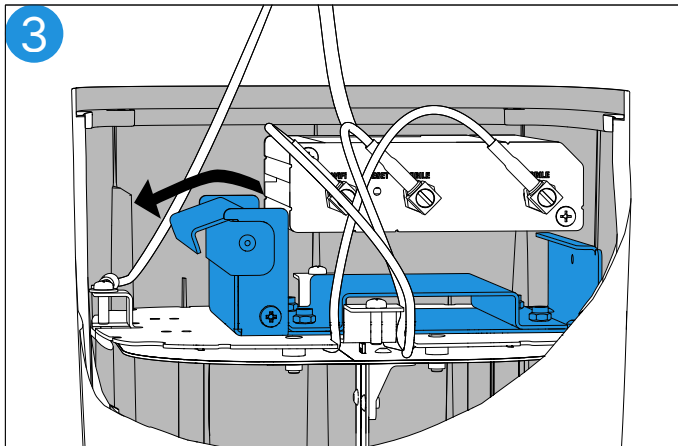
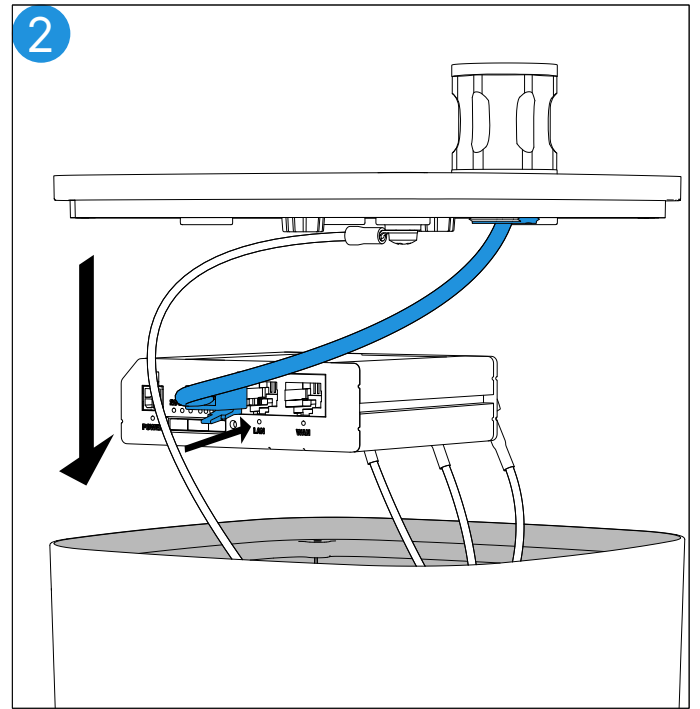
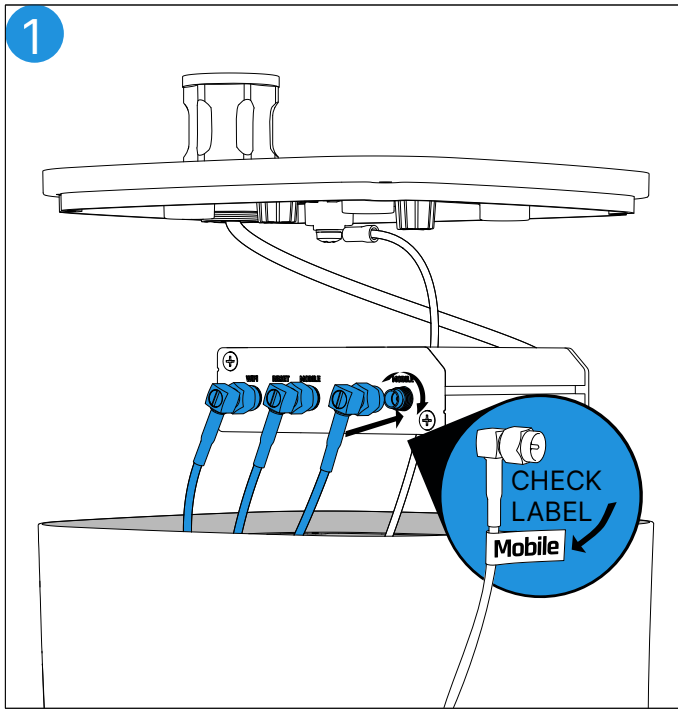
1	Top cover
2	Sealing gasket
3	Lower lid
4	Mounting
5	U-bolt M8 part 1
6	U-bolt M8 part 2
7	RJ45 socket
8	Grounding cable
9	M8 nuts
10	M6 x 10 screw
11	3.1 x 12 screw

9  x2

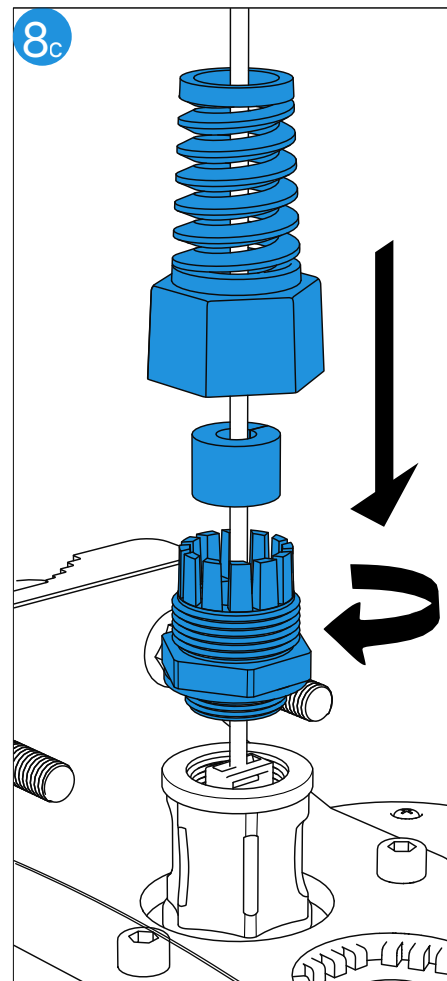
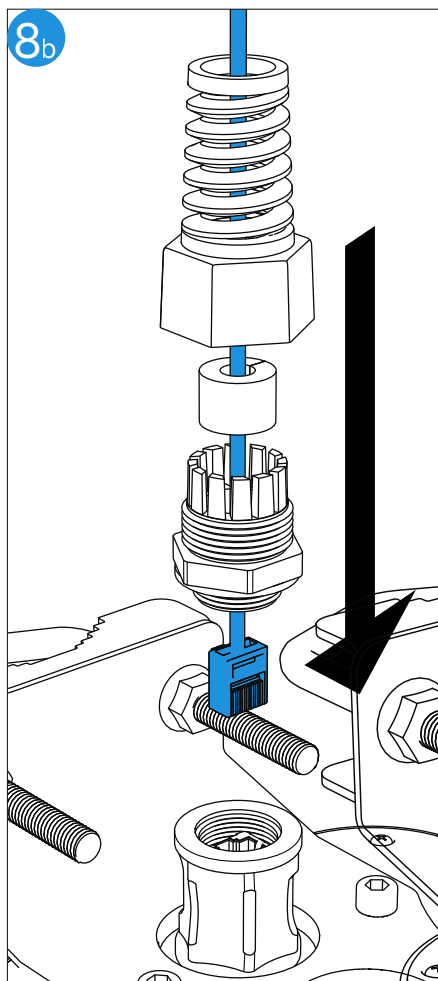
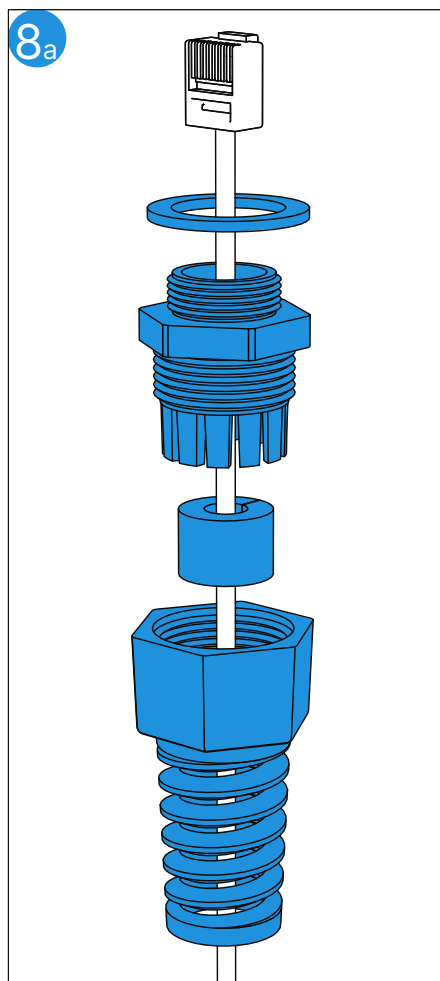
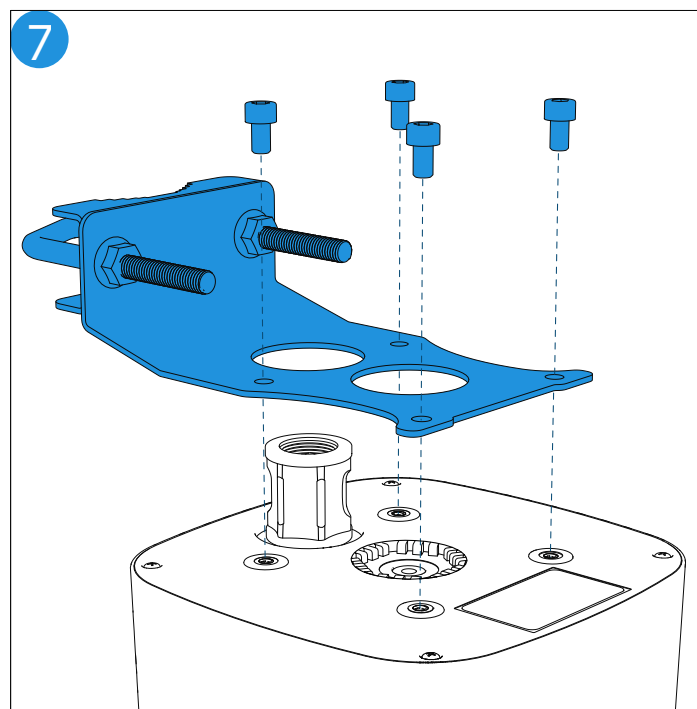
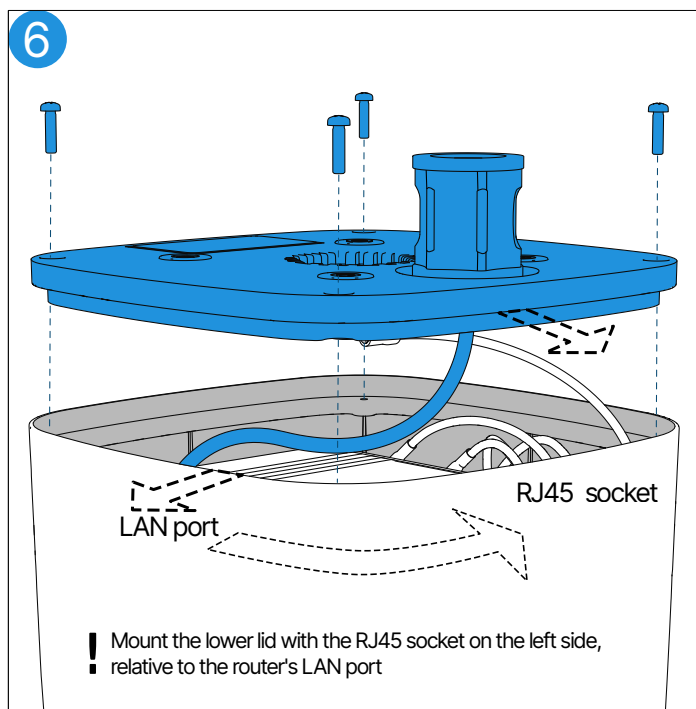
10  x4

11  x4

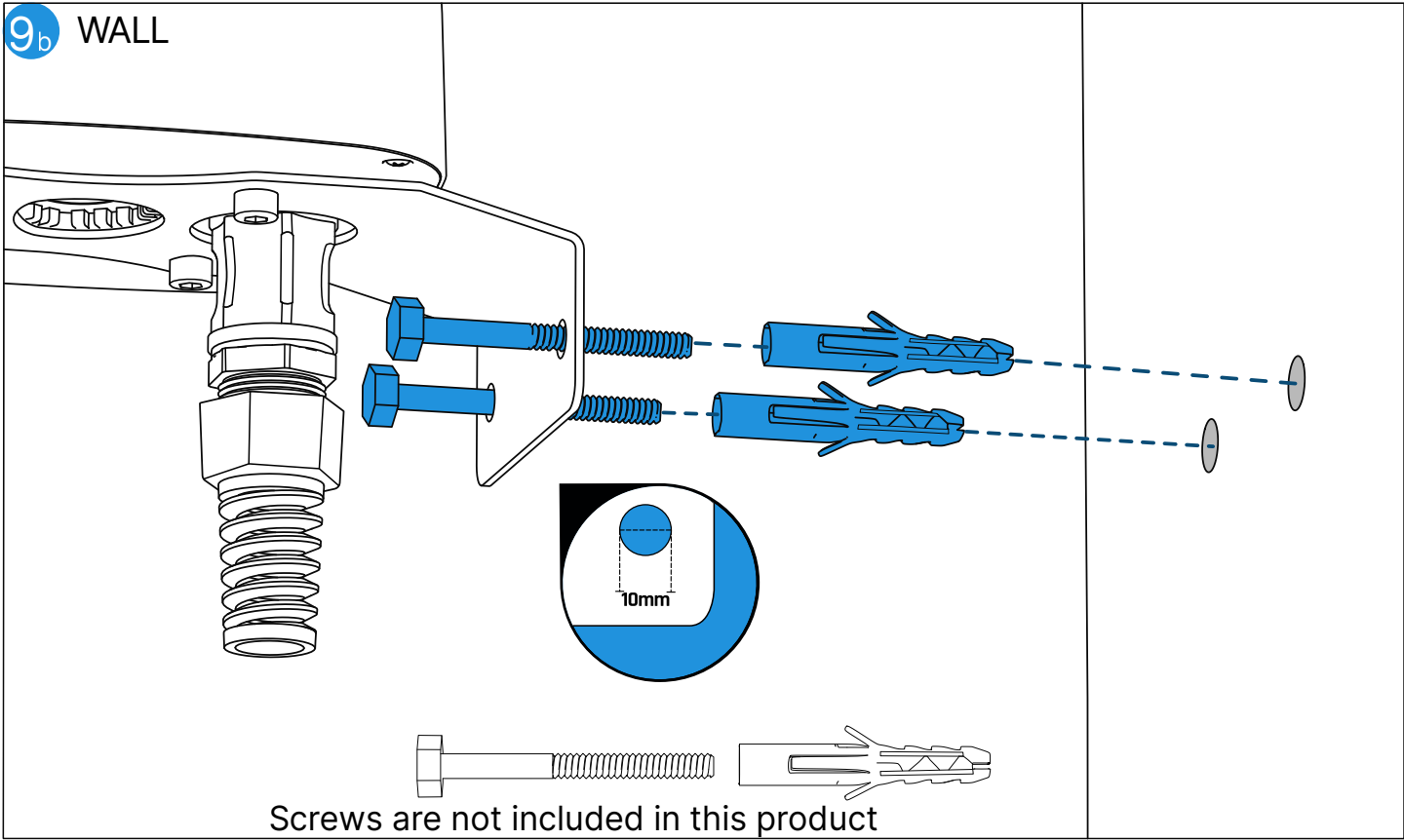
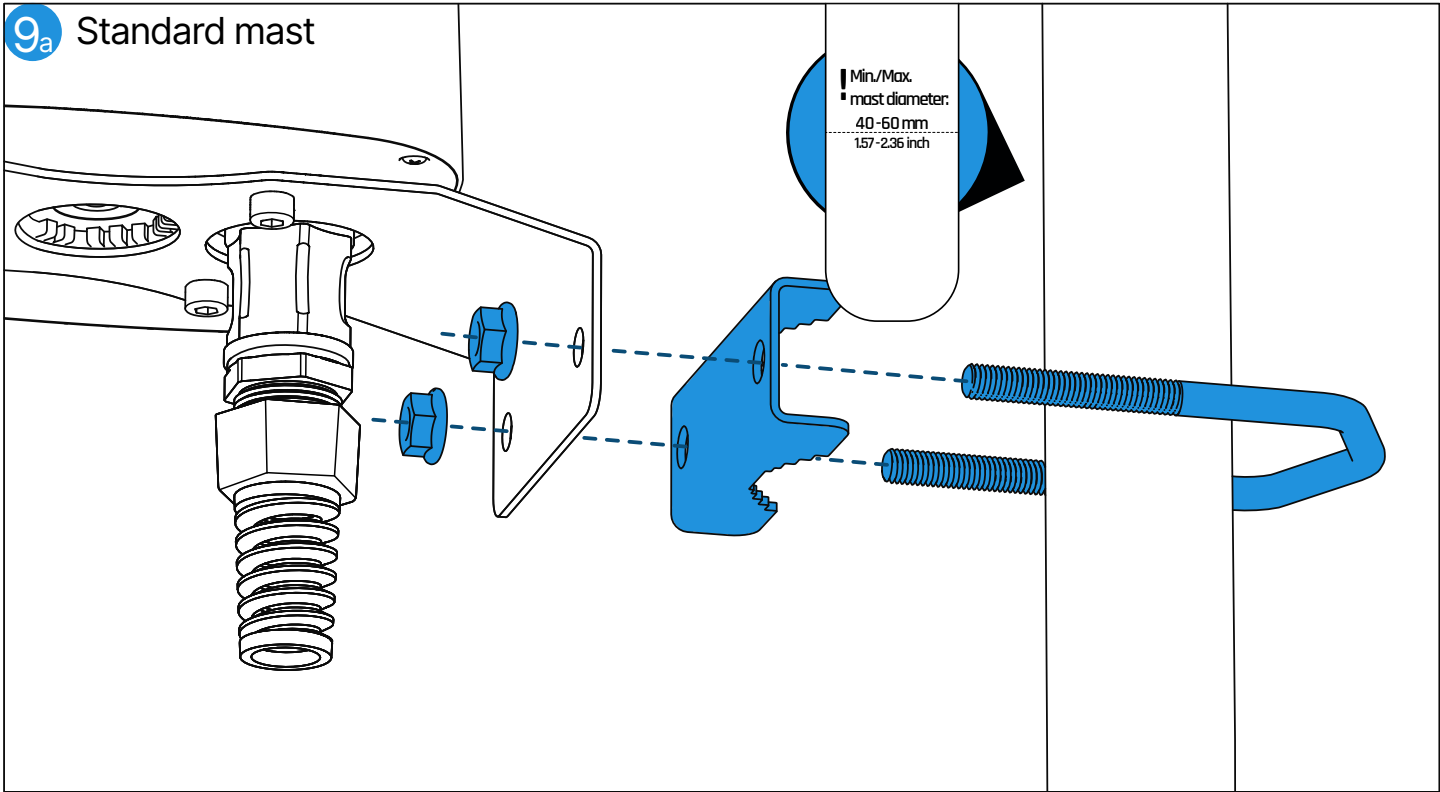
ANTENNA INSTALLATION



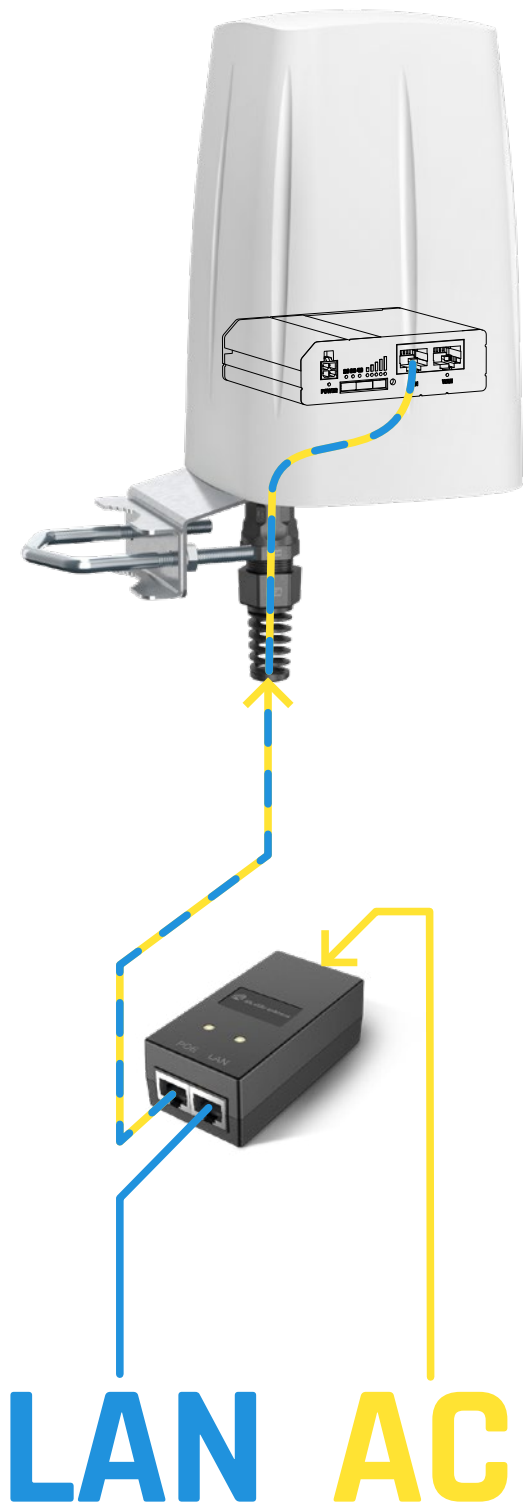
ANTENNA INSTALLATION



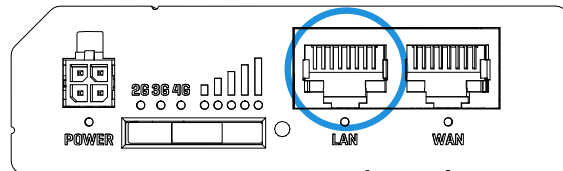
MAST & WALL INSTALLATION



10a STANDARD POE POWER SUPPLY



Teltonika routers support passive PoE only via their LAN1 port



Please note:

- Teltonika routers are not compliant with the IEEE 802.3af-2003 standard. Powering one via an IEEE 802.3af-2003 power supply will damage the router due to the this standard's voltage.
- Teltonika routers are not compliant with the IEEE 802.3at standard. They cannot power other devices via Ethernet. They can be powered via any Gigabit passive PoE power supply with a voltage of 9-30 VDC, such as our own power supply:

For power supply, you can use any Gigabit (not Gigabit for RUT series) Passive PoE power supply with a voltage of 9-30VDC. You can use, for example, a power supply from our offer: [PR323EUB](#)

Passive PoE power supply is not included in this product.

