

## Quick Installation Guide

### INTRODUCTION

AW-IHB-1040 is an industrial lite managed PoE switch that supports 2xGbE bt 90W PoE + 6xGbE af/at 30W PoE + 2xGbE SFP. The power input is 48-56VDC(48-51VDC: bt port 60W, 52-56VDC: be port 90W) with power budget 300W. The AW-IHB-1040 also features a wide operating temperature range from -40°C to 75°C for harsh environment.

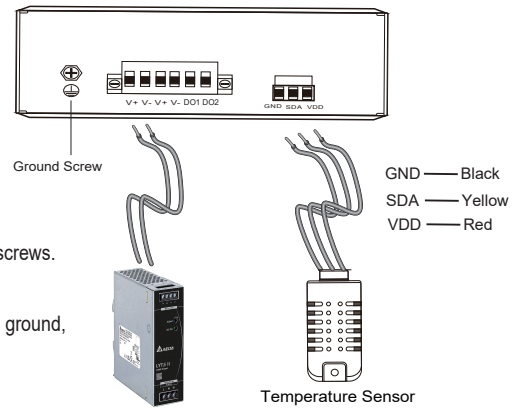
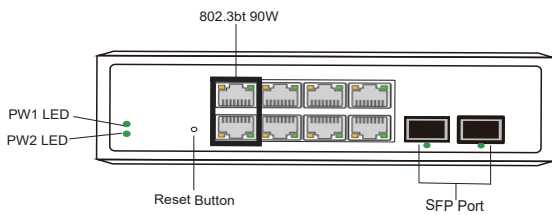
### PACKAGE CONTENTS

* 1 x Industrial Lite Managed PoE Switch	* 1 x Quick Installation Guide	* 1 x Temperature & Humidity Sensor
* 1 x 6-Pin Terminal Block & 1 x 3-Pin Terminal Block	* 1 x DIN Rail Bracket	* 2 x Wall Mount Brackets

### ⚠ IMPORTANT:

1. Install the converter in a ventilated and dry place that is free of electromagnetic source, vibration, moisture, and dust.
2. Make sure the ventilation openings on the converter are not blocked.
3. Use fiber optic cables and transceiver compliant with the following: Multi-mode: 50/125um, 62.5/125um, 850/1310nm; Single-mode: 9/125um , 1310/1550nm.
4. DC input: 48-56VDC(48-51VDC: bt port 60W, 52-56VDC: bt port 90W) Follow the printed polarity for V+, V- and Ground.

### CONNECTION



1. Pull out the 2-pin terminal block.
2. Connect power wires to V+ and V-(48~56VDC). Use a flatblade screwdriver to secure the wire-clamp screws.
3. Connect SFP transceivers to the fiber ports.
4. Install the 2-pin terminal block, and check power LED.
5. The switch must be grounded properly by using a ground wire to connect switch ground screw to earth ground, otherwise, the surge protection level will be greatly reduced.

### DO Device Connection



### LED DEFINITIONS

<b>POWER PW1/PW2</b>	Green ON	Power is on and normal.
<b>PoE LED</b>	Amer ON	PD is detcted.
	OFF	PD is not deteted.
<b>Link/ACT</b>	Green Flashing	Data is being transmitted or received.
	Off	No connection.
<b>SFP port</b>	Green ON	Data is being transmitted or received.
	OFF	No connection.

All specifications are subject to change without notice.  
Copyright © 2024 VIVOTEK INC. All rights reserved.