



BT899-AD

ADJUSTABLE DROP PROJECTOR CEILING MOUNT WITH MICRO-ADJUSTMENT INSTALLATION GUIDE & PARTS LIST

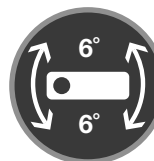
This Pack Contains 1 Mount

PLEASE KEEP THIS FOR FUTURE REFERENCE



FEATURES

- Telescopic ceiling mount designed for projectors up to 25kg (55lbs)
- Adjustable drop: 743mm to 1143mm (in 25mm increments)
- +/-13° tilt adjustment, +/-6° roll adjustment and 360° swivel
- Maximum distance between any two fixing points on projector: 370mm (14.6")
- Optional micro-adjustment for short throw projectors
- Unique 'Carousel' mounting plate for universal compatibility
- Suitable for projectors using M2.5, M3, M4, M5 and M6 fixings
- Integrated cable management for a smart installation
- All mounting hardware & fixings included



CONTENTS

Installation Safety Notes.....	2
Parts List.....	4
Installation Instructions.....	6
Product Dimensions.....	11
B-Tech Contact Details.....	12

INSTALLATION TOOLS REQUIRED

13mm spanner or socket



Crosshead screwdriver



Drill



10mm masonry bit or 6mm wood bit



Pencil



B-TECH AV MOUNTS

www.btechavmounts.com

INSTALLATION SAFETY INSTRUCTIONS



CAUTION: This ceiling mount is intended for use only with the maximum weights indicated. Use with projectors heavier than the maximum indicated may result in instability causing possible injury.

Do not attempt to install this product until all instructions and warnings have been read and properly understood. Please keep these instructions for future reference.

Please check carefully to make sure there are no missing or defective parts - defective parts must never be used. B-Tech International Design & Manufacturing Ltd, its distributors and dealers are not liable or responsible for damage or injury caused by improper installation, improper use or failure to observe these safety instructions. In such cases, all guarantees will expire.

General

B-Tech International Design & Manufacturing Ltd recommends that a professional AV installer or other suitably qualified person install this product. Great care must always be taken during installation as most AV equipment is of a fragile nature, possibly heavy and easily damaged if dropped.

If you do not fully understand the instructions or are not sure how to install this product safely, then please consult a professional for advice and/or to install this product for you. Failure to mount this product correctly may cause serious injury or death both during installation and at any time thereafter.

Do not mount any AV equipment that exceeds the specific weight limit of the product you are installing. This weight limit will be clearly stated on each product and its packaging and will vary from product to product.

Product location

Please pay careful attention to where this product is located. Some ceilings are not suitable for installation. For indoor use only. If located in a public or frequently populated area ensure that the product is out of the immediate reach of people. If any AV equipment is to be suspended over the likely path or location of people then great care should be taken to secure all parts of the installation from falling. When drilling holes into walls it is essential to avoid contact with electrical cables and water or gas pipes contained within. Use of a good quality live wire detector and hidden object locator is therefore recommended. Only drill into structures when you are sure it is safe to do so.

Fixing hardware

It is highly recommended that all wall fixing screws be used where supplied and that the purpose of all other fixing hardware is fully understood. In some cases more AV equipment fixing hardware will be supplied to accommodate different models of equipment and set up configurations. The installer must be satisfied that any supplied fixing hardware is suitable for each specific installation. If any fixing screws or included hardware are deemed not sufficient for a safe installation then please consult a professional or your local hardware store.

Hazard limitation

When routing cables take advantage of any built in cable management features that the product might provide and ensure that all cables are tidy and secure. Check to see that any moving aspect of the product can do so unhindered by any cabling. Some products have moving parts and the potential to cause injury through the crushing or trapping of fingers or other body parts. Particular attention to the nature of moving parts is required especially when assembling installing and adjusting during set up.

Immediately after installations double-check that the work done is safe and secure. Double-check all necessary fixings are present and are of ample tightness.

It is recommended that periodic inspections of the product and its fixing points are made as frequently as possible to ensure that safety is maintained. If in doubt consult a professional AV installer or other suitably qualified person.

CS

Společnost B-Tech International Design And Manufacturing Ltd. doporučuje provést instalaci tohoto produktu instalátora AV či jinak způsobilé osoby. Společnost B-Tech International Design And Manufacturing Ltd, její distributoři a prodejci nenesou prostřednictvím odborného odpov ědnost za škody nebo zranění způsobená nevhodnou instalací. Tento výrobek je nutno umístit do vhodné konstrukce a používat jen po uvedené maximální výšce.

DE

B-Tech International Design And Manufacturing Ltd. empfiehlt, dass dieses Produkt durch einen qualifizierten AV-Techniker oder eine andere Person mit geeigneter Qualifikation installiert wird. B-Tech International Design And Manufacturing Ltd, ihre Distributoren und Händler können nicht für durch fehlerhafte Montage verursachte Beschädigung oder Verletzung haftbar bzw. verantwortlich gemacht werden. Dieses Produkt muss auf eine geeigneten Untergrund montiert werden und darf nur bis zum angegebenen Höchstgewicht verwendet werden.

ES

B-Tech International Design And Manufacturing Ltd. recomienda que un instalador de audio y video profesional u otra persona debidamente cualificada instalen este producto. B-Tech International Design And Manufacturing Ltd, sus distribuidores y concesionarios no se hacen cargo ni se responsabilizan de ningún daño o lesión provocados por una instalación inapropiada. Este producto se debe montar en una estructura adecuada y se debe utilizar soportando solamente hasta el peso máximo indicado.

FR

B-Tech International Design And Manufacturing Ltd. recommande de confier l'installation de ce produit à un installateur AV professionnel ou à une autre personne dûment qualifiée. B-Tech International Design And Manufacturing Ltd, ses distributeurs et ses revendeurs ne sauraient être tenus responsables de tout dégât ou de toute blessure résultant d'une installation incorrecte. Ce produit doit être monté sur un support approprié et utilisé dans la limite du poids maximum indiqué.

IT

B-Tech International Design And Manufacturing Ltd. consiglia di affidare l'installazione di questo prodotto a un installatore specializzato o ad altra persona adeguatamente qualificata. B-Tech International Design And Manufacturing Ltd. i suoi distributori e rivenditori non accettano alcuna responsabilità nei riguardi di eventuali danni o infortuni causati da un'errata installazione. Questo prodotto deve essere fissato a una struttura idonea e utilizzato unicamente sino al peso massimo indicato.

NL

B-Tech International Design And Manufacturing Ltd. adviseert om dit product te laten installeren door een professionele AV-instalateur of andere hiervoor gekwalificeerde persoon. B-Tech International Design And Manufacturing Ltd, haar distributeurs en dealers zijn niet aansprakelijk of verantwoordelijk voor schade of letsel die is veroorzaakt door onoordeelkundige installatie. Dit product moet worden gemonteerd aan een geschikte constructie, waarbij het aangegeven maximum gewicht niet mag worden overschreden.

PL

Firma B-Tech International Design And Manufacturing Ltd. zaleca, aby ten produkt był instalowany przez profesjonalnych instalatorów AV lub inny odpowiednio przeszkolony personel. Firma B-Tech International Design And Manufacturing Ltd, jej dystrybutorzy i dealerzy nie ponoszą odpowiedzialności za uszkodzenia lub obrażenia ciała powstałe w wyniku nieprawidłowej instalacji. Niniejszy produkt musi być zamontowany na odpowiedniej powierzchni, a podczas u żytkowania nie wolno przekraczać podanego maksymalnego obciążenia.

PT

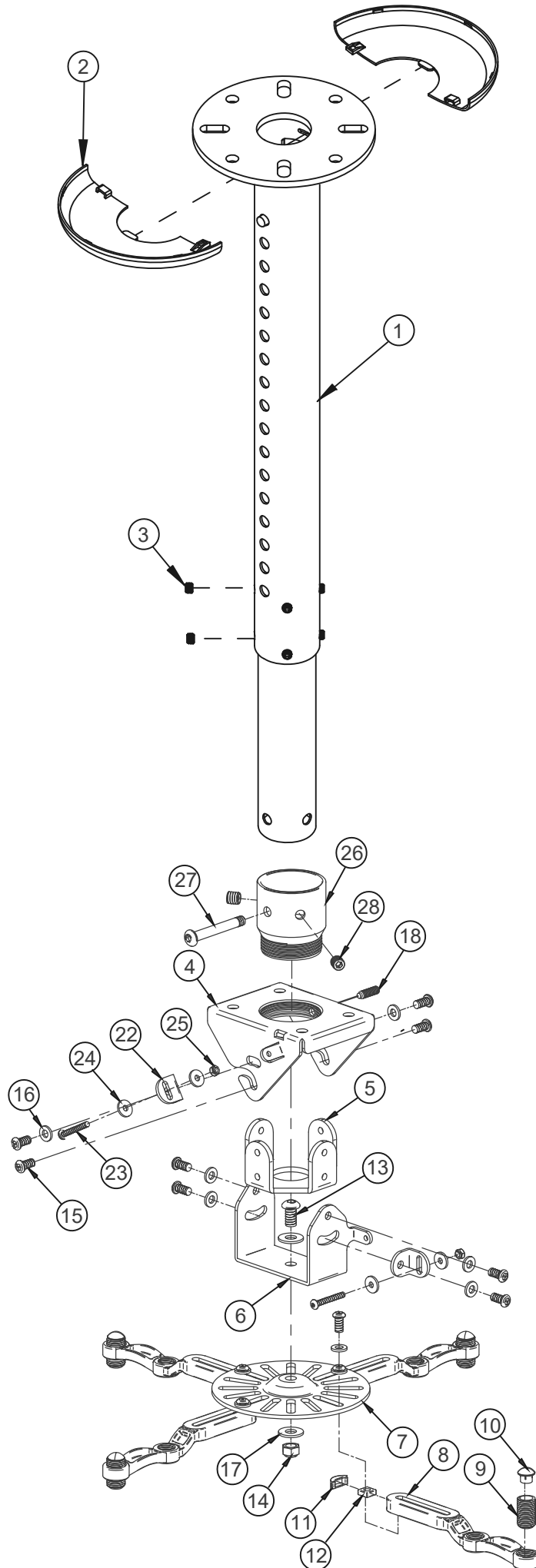
A B-Tech International Design And Manufacturing Ltd. recomenda que a instalação deste produto seja efectuada por um instalador de AV instalador de AV profissional ou outra pessoa devidamente habilitada. A B-Tech International Design And Manufacturing Ltd. e os seus distribuidores e concessionários não são responsáveis por danos ou lesões causados por uma instalação incorrecta. Este produto tem de ser montado numa estrutura adequada e utilizado somente até ao peso máximo indicado.

RU

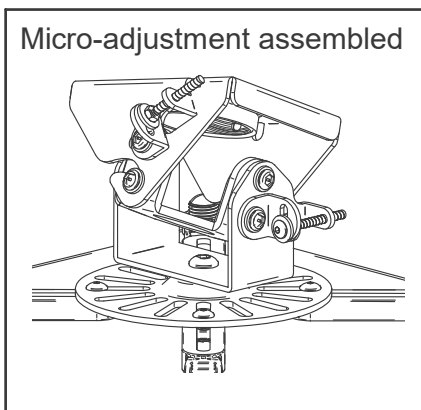
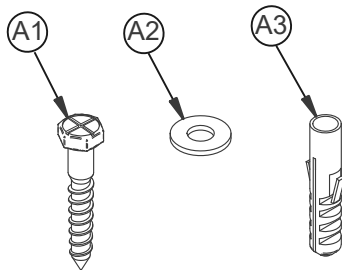
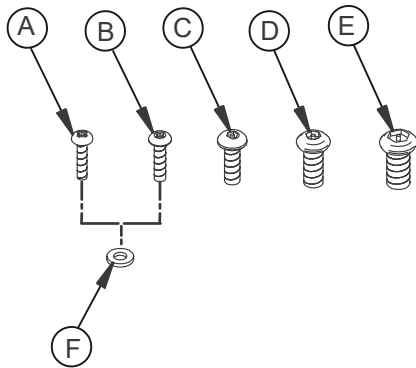
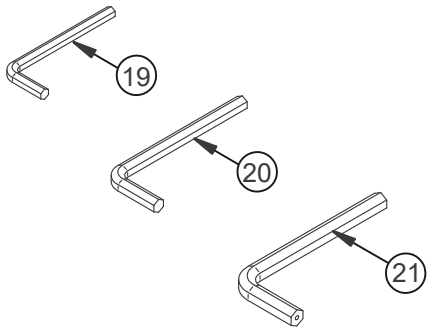
Компания B-Tech International Design And Manufacturing Ltd. рекомендует, чтобы установка данного изделия производилась инженером по установке аудио-видеотехники или другим специалистом с соответствующей квалификацией. Компания B-Tech International Design And Manufacturing Ltd. ее дистрибьюторы и дилеры не несут ответственности за повреждения или травмы, полученные в результате неправильной установки. Данное изделие должно

توصي بي- تك للتجارة الدولية المحدودة بأن شخص محترف في تركيب ال AV او شخص مؤهل تأهيلا مناسباً لتركيب هذا المنتج بي- تك للتجارة الدولية، موزعيها والتجار ليست عرضة أو مسؤولة عن الأضرار أو الإصابات الناجمة عن تركيب غير سليم، والاستخدام غير السليم أو عدم مراعاة هذه التعليمات للسلامة. يجب أن يتم تركيب هذا المنتج في بنية مناسبة ويجب استخدامه فقط لدعم الحد الأقصى للوزن المشار إليه.

BT899-AD PARTS LIST



Suitable for loads
up to 25kg



ITEM	PART NAME	QTY
1	TELESCOPIC CEILING PLATE	1
2	COVER PLATE (HALF)	2
3	GRUB SCREW	8
4	MOUNTING PLATE	1
5	JOINING PLATE	1
6	SWIVEL PLATE	1
7	CAROUSEL	1
8	MOUNTING ARM	4
9	LEVELING SCREW	4
10	LEVELING SCREW COVER	4
11	MOUNTING ARM CAP	4
12	M6 SQUARE NUT	4
13	M8 x 15mm SECURITY SCREW	1
14	M8 NYLOC NUT	1
15	M6 x 12mm SECURITY SCREW	12
16	M6 METAL WASHER	10
17	M8 PLASTIC WASHER	2
18	M6 x 20mm GRUB SCREW	1
19	3mm HEX KEY	1
20	4mm HEX KEY	1
21	5mm HEX KEY	2
MICRO-ADJUSTMENT		
22	MICRO ADJUSTMENT BRACKET	2
23	M4 x 30mm SECURITY SCREW	2
24	M4 METAL WASHER	4
25	M4 NYLOC NUT	2
ADAPTOR		
26	POLE ADAPTOR	1
27	M8 x 60mm SAFETY BOLT	1
28	M10 x 6mm GRUB SCREW	2
INTERFACE KIT		
A	M2.5 x 12mm SCREW	4
B	M3 x 12mm SCREW	4
C	M4 x 12mm SECURITY SCREW	4
D	M5 x 12mm SECURITY SCREW	4
E	M6 x 12mm SECURITY SCREW	4
F	M3 METAL WASHER (FOR PART A & B)	4
FIXING KIT		
A1	M8 x 50mm COACH SCREW	4
A2	M8 METAL WASHER (FOR PART A1)	4
A3	No. 10 WALL PLUG (FOR PART A1)	4

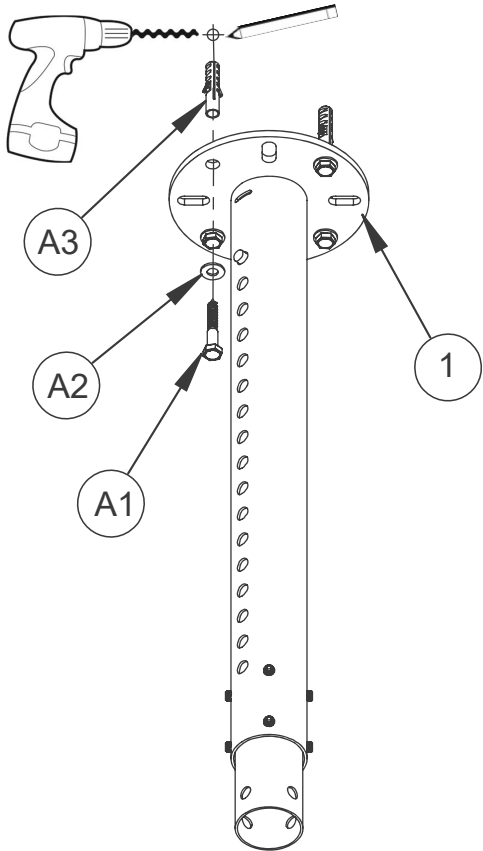
PLEASE KEEP THIS FOR FUTURE REFERENCE

INSTALLATION INSTRUCTIONS

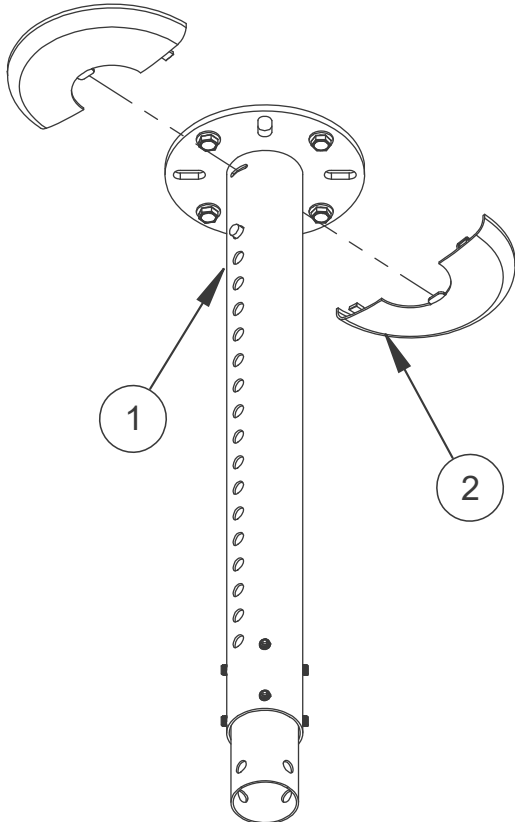
1

Attach Ceiling Pole Mount to Ceiling

i. Fix item 1 to the ceiling.



ii. Attach item 2 to item 1.



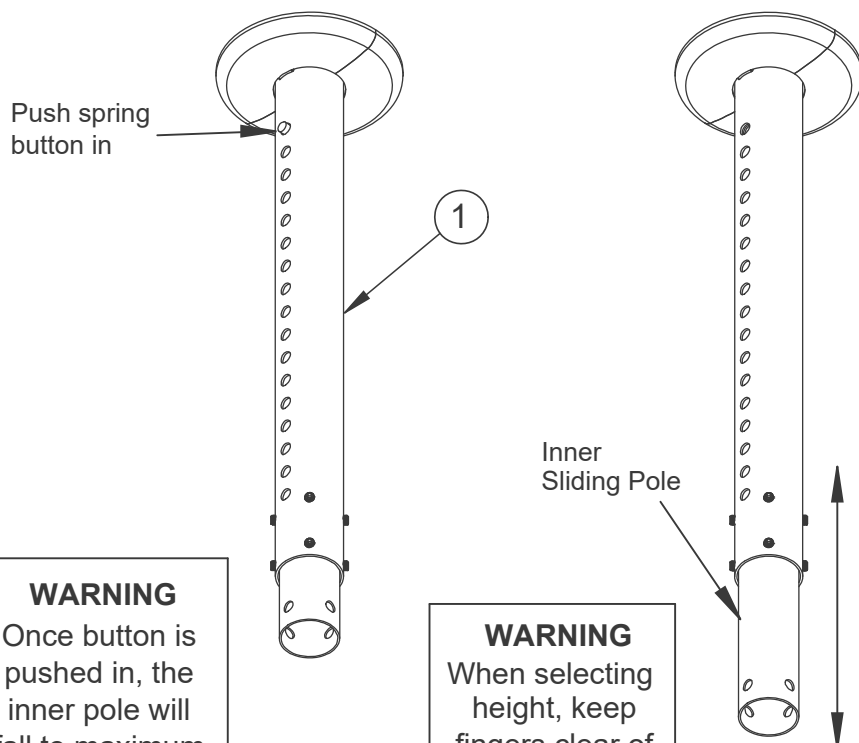
2

Adjust Ceiling Drop to Desired Height

i. Push spring button to release height adjustment.

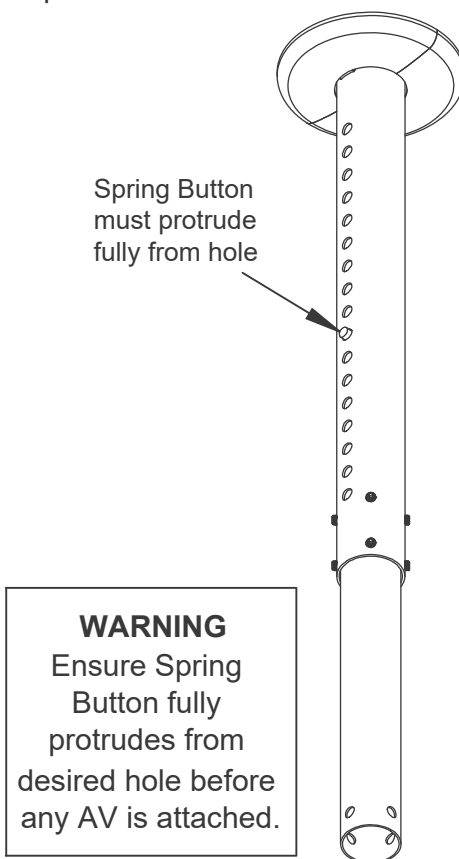
ii. Move inner sliding pole to desired ceiling drop.

iii. When desired ceiling drop is reached, ensure spring button protrudes from hole.



WARNING
Once button is pushed in, the inner pole will fall to maximum extension if not held.

WARNING
When selecting height, keep fingers clear of safety slot on reverse of pole.

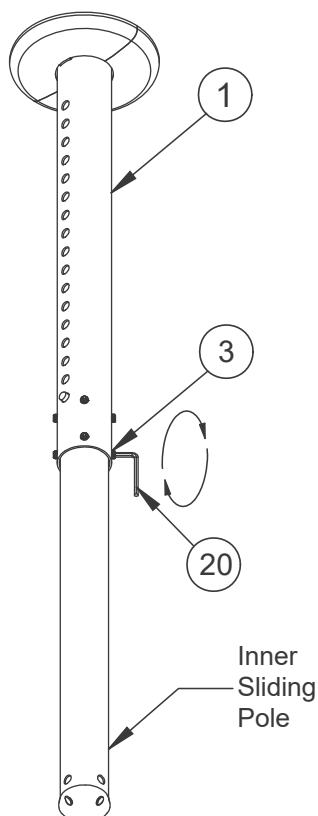


WARNING
Ensure Spring Button fully protrudes from desired hole before any AV is attached.

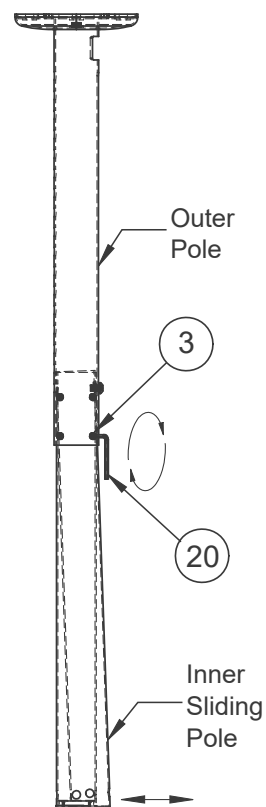
3

Fix Inner Sliding Pole in place

Tighten item 3 using item 20 to ensure the inner sliding pole is fixed securely in position.



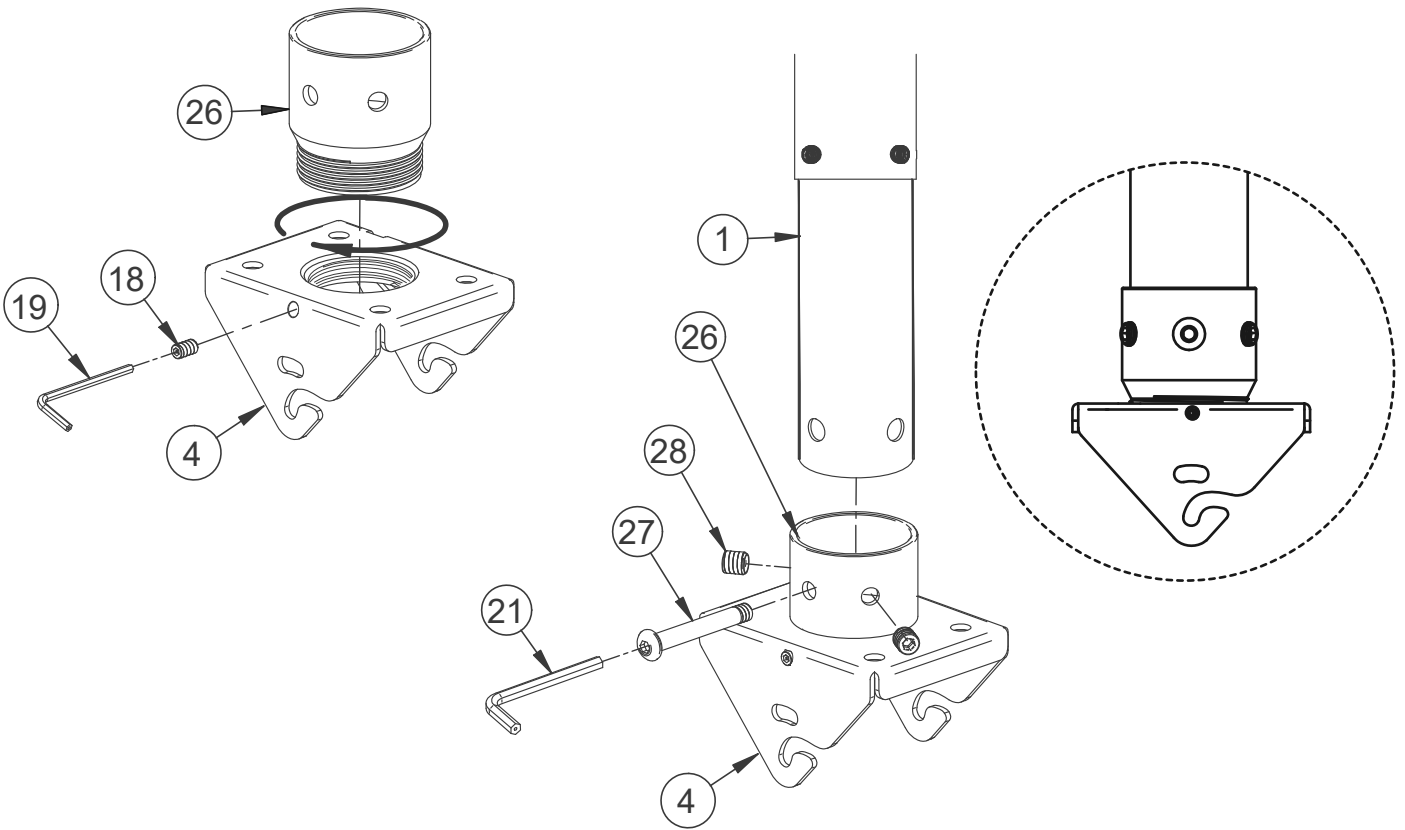
Note: The angle of the inner sliding pole can be adjusted using item 3.



4

Attach Pole Adaptor Mount to Ceiling Pole Mount

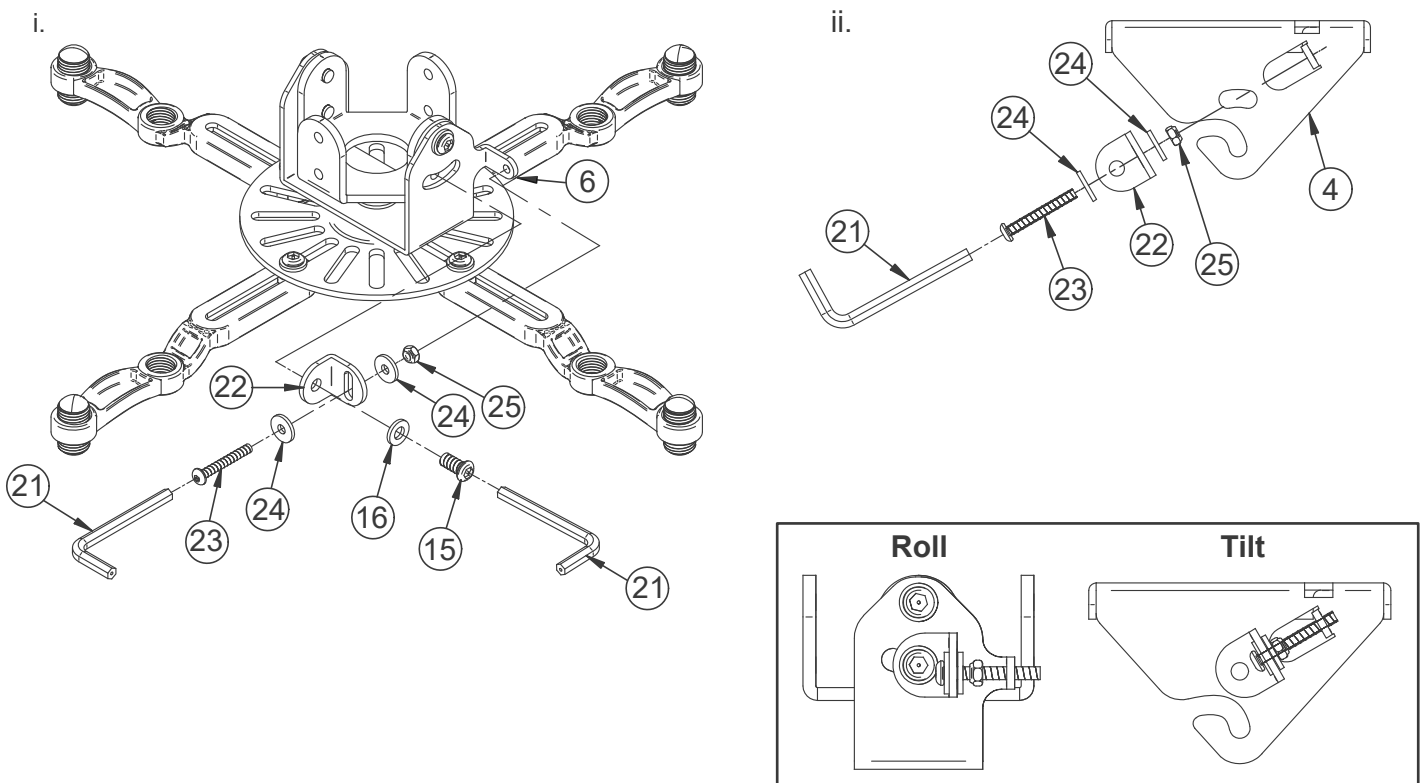
Connect item 4 to item 1 using item 26.



5

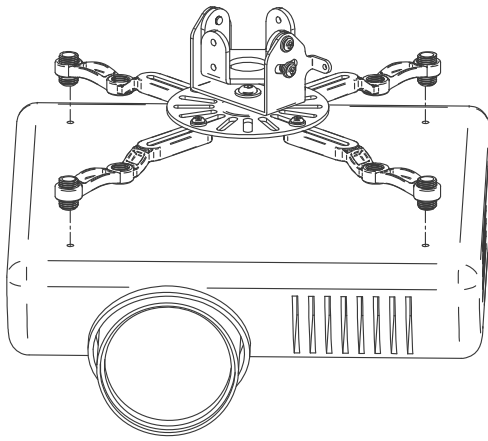
Optional Micro-adjustment

For short throw projectors the micro-adjustment can be installed as shown. If the micro-adjustment is not required proceed to *Step 6*.

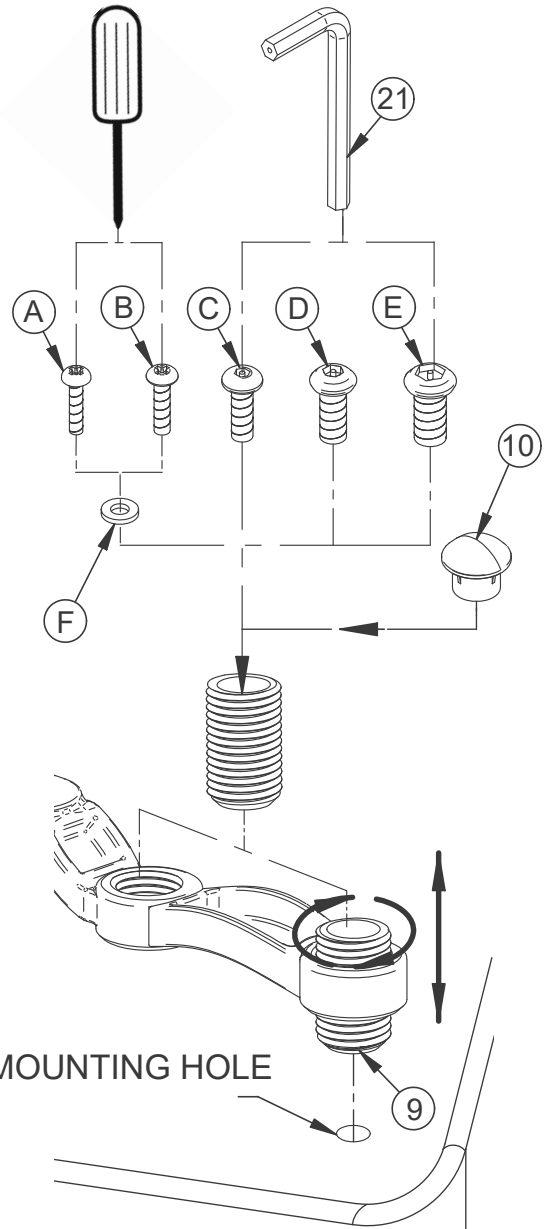
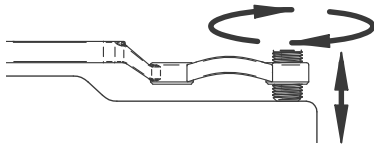
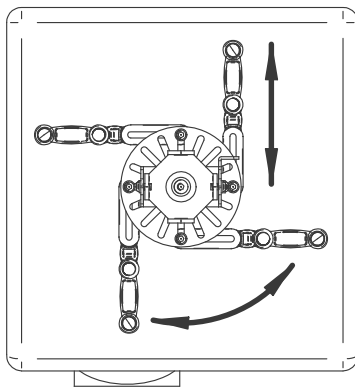
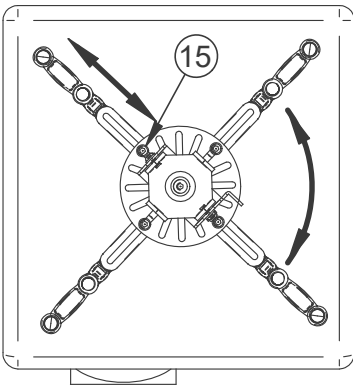


6

Attach Interface Assembly to Projector



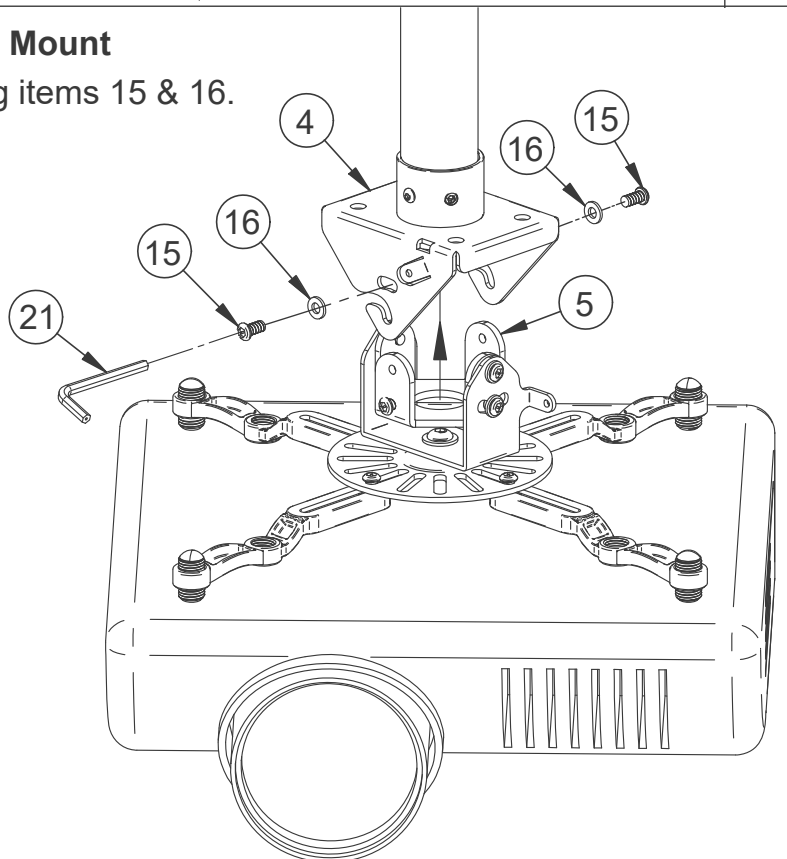
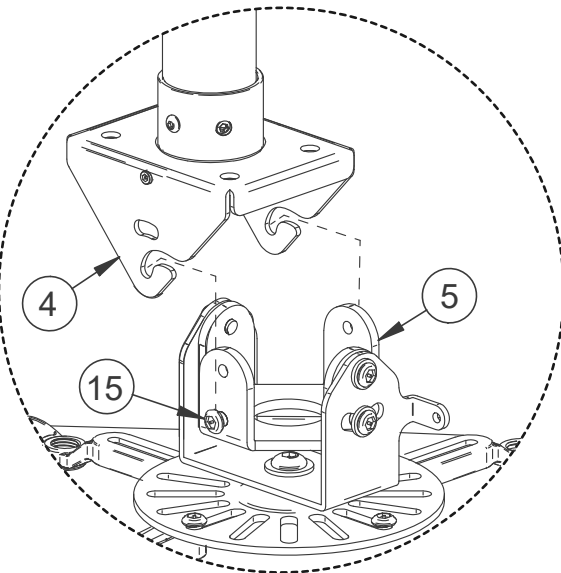
Loosen part 15, adjust legs then re-tighten.



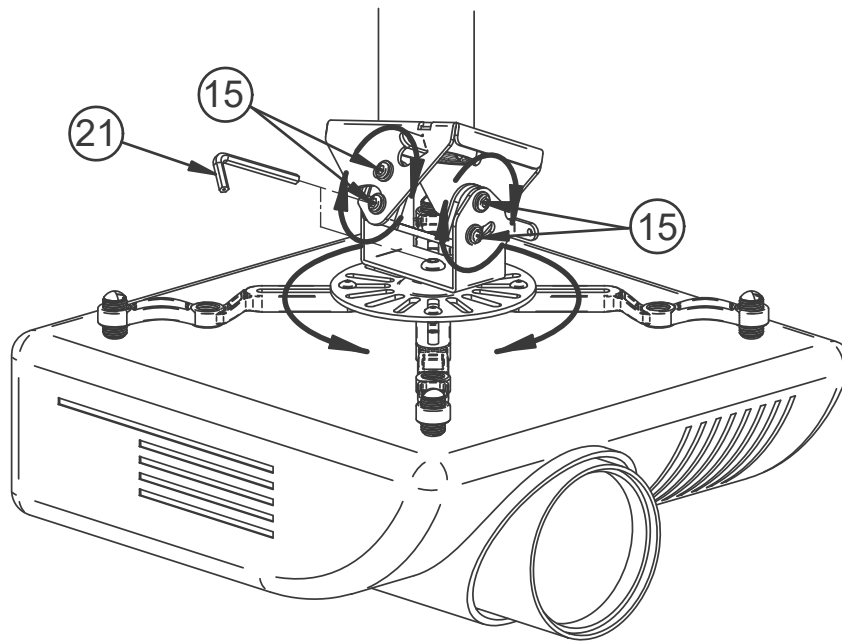
7

Hook Projector onto Ceiling Mount

Connect item 5 to item 4 using items 15 & 16.



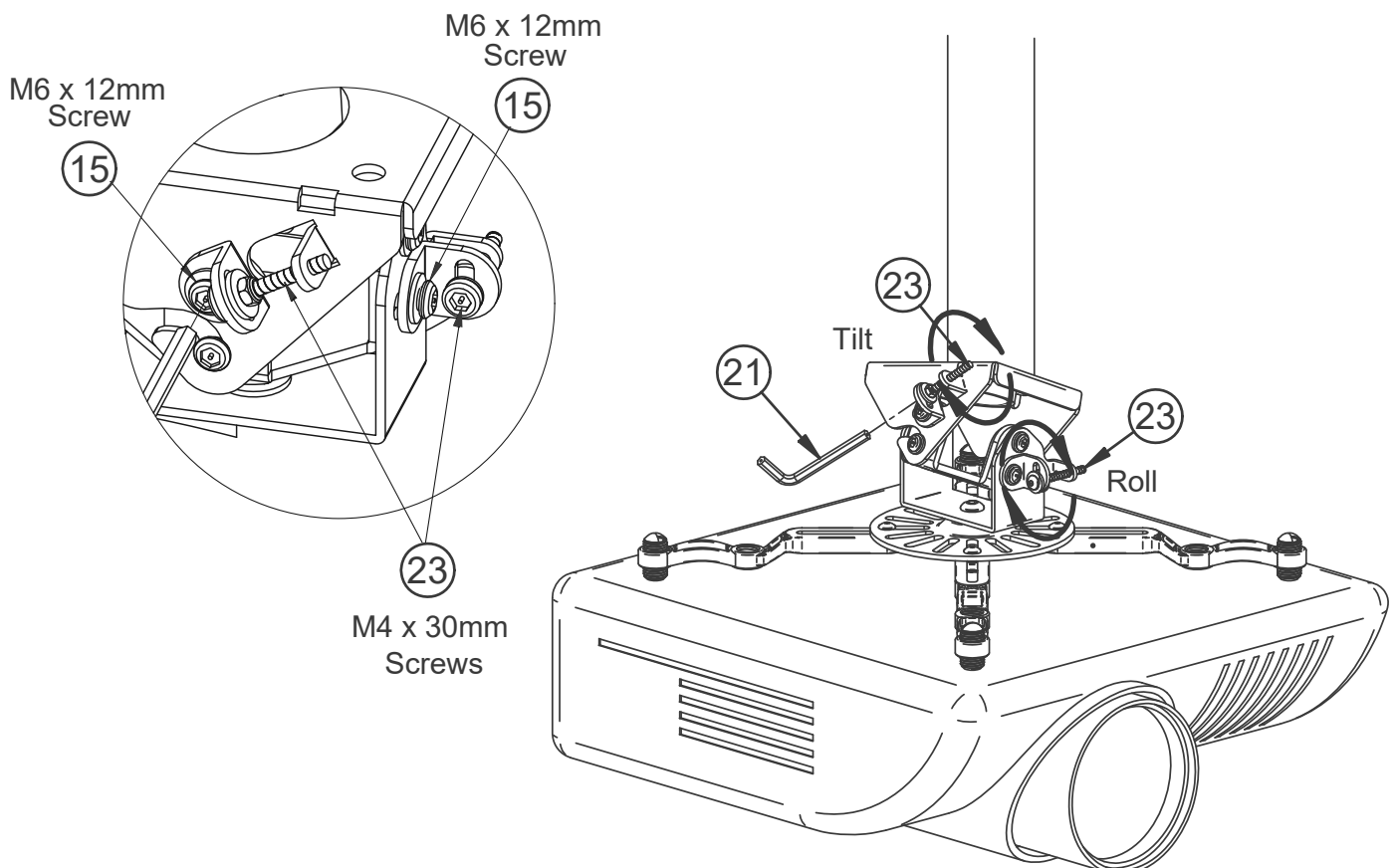
i) To tilt/roll, loosen items 15, adjust and re-tighten.



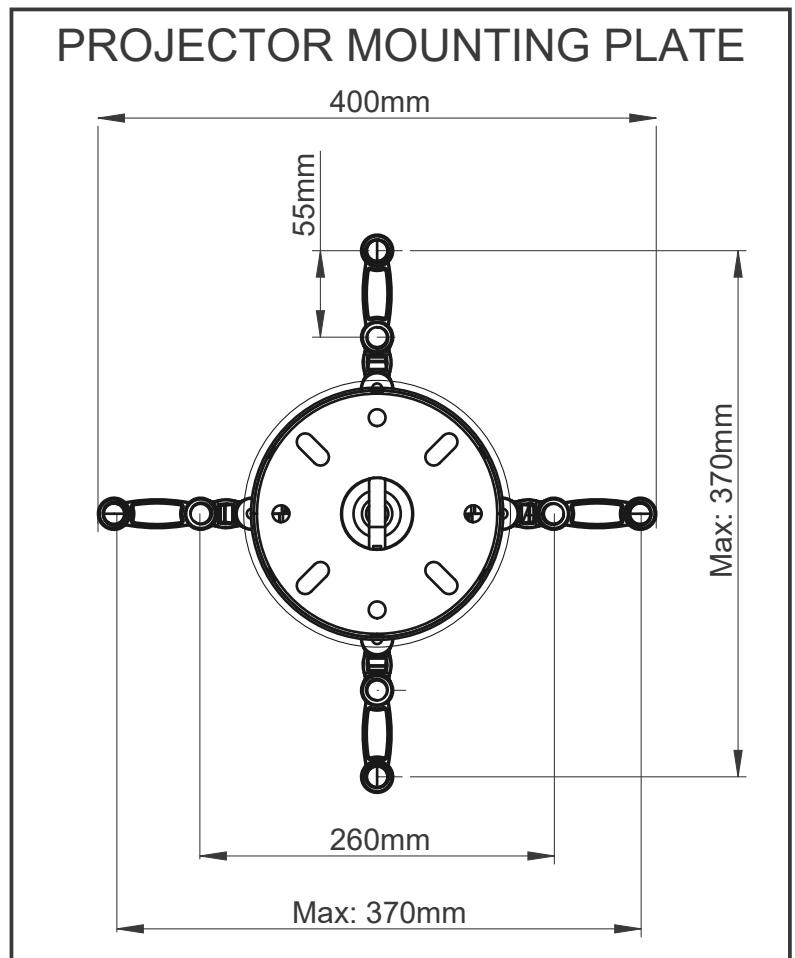
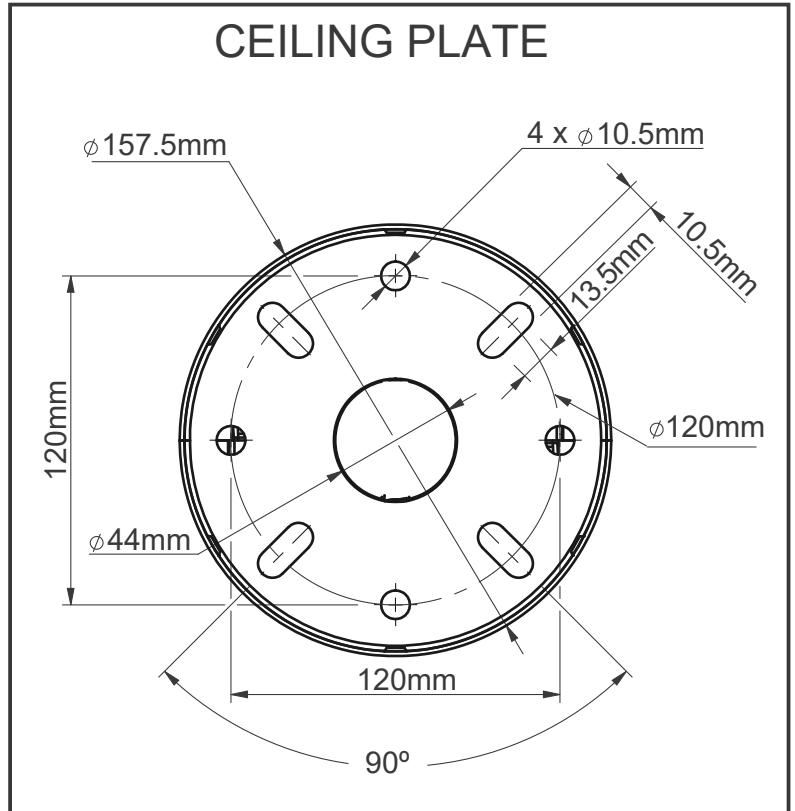
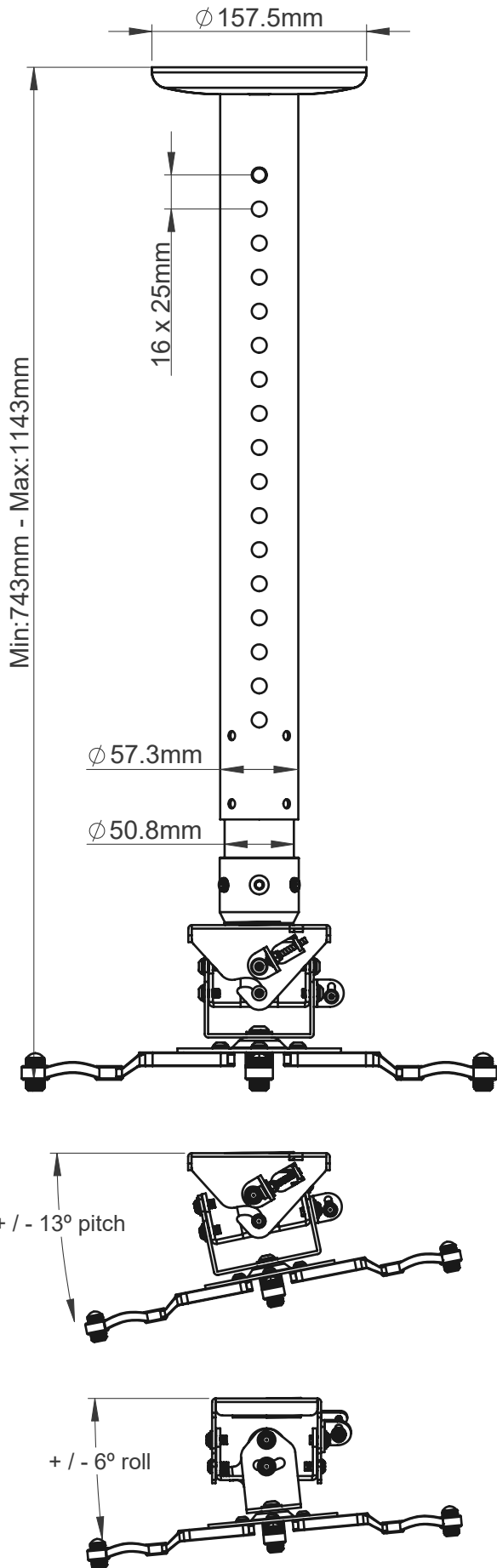
ii) Micro-adjustment (if installed).

Loosen item 15 (M6 x 12mm screws) by one turn using item 21.

Micro adjust item 23 (M4 x 30mm screws) using item 21 to roll or tilt the projector.



BT899-AD PRODUCT DIMENSIONS



THESE INSTRUCTIONS ARE INTENDED AS A GUIDE ONLY AND B-TECH ACCEPTS NO LIABILITY FOR THE ACCURACY OF THE INFORMATION CONTAINED IN THIS DOCUMENT.



www.btechavmounts.com

B-TECH AV MOUNTS

HEAD OFFICE

B-Tech International Limited

Bennett House, Long March, Daventry, Northants., NN11 4NR, UK

Email: info@btechavmounts.com

©2019 B-Tech International Design and Manufacturing Limited. All rights reserved.

B-Tech AV Mounts is a division of B-Tech International Design & Manufacturing Ltd.

B-Tech, Better By Design, System 2 and Pro Install are registered trademarks of B-Tech International Design & Manufacturing Ltd.

All other brands and product names are trademarks of their respective owners.

Photographs are for illustrative purposes only. E&OE.

AMA-BT899-AD-V1-0819-03 MADE IN P.R.C.