



IDEAL FOR MOUNTING TO ANGLED CEILINGS

BT899-FD

FIXED DROP PROJECTOR CEILING MOUNT WITH MICRO-ADJUSTMENT

The BT899-FD is a ceiling mounted, universal projector mount designed to mount projectors up to 25kg. Suitable for use with angled ceilings, the BT899-FD features easy adjustment of tilt, yaw & roll plus optional micro-adjustment makes alignment of projections quick & simple. Available in a range of pole lengths to suit your requirements.

SPECIFICATION

Max load	25kg
Tilt (pitch)	+/-13°
Roll	+/- 6°
Yaw	360°
Ceiling plate tilt	90°
Max distance between fixings	370mm
Color option (Ø50mm pole)	Black, White or Chrome

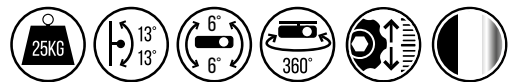
FEATURES

- Integrated cable management for smart installation
- Adjustable ceiling plate suitable for angled ceilings
- Security locking screws & Allen key provided for a secure installation
- Pole is internally unobstructed for cables to pass through easily
- Unique 'Carousel' mounting plate for universal compatibility
- Optional micro-adjustment ideal for use with short throw projectors
- Suitable for projectors using M2.5, M3, M4, M5 & M6 fixings
- Quick & easy assembly
- All mounting hardware included



AVAILABLE IN 6 POLE LENGTHS

BT899-FD025	0.25m Pole	BT899-FD150	1.5m Pole
BT899-FD050	0.5m Pole	BT899-FD200	2m Pole
BT899-FD100	1m Pole	BT899-FD300	3m Pole



Features easy tilt, roll & swivel functions



Optional micro-adjustment feature ideal for use with short throw projectors

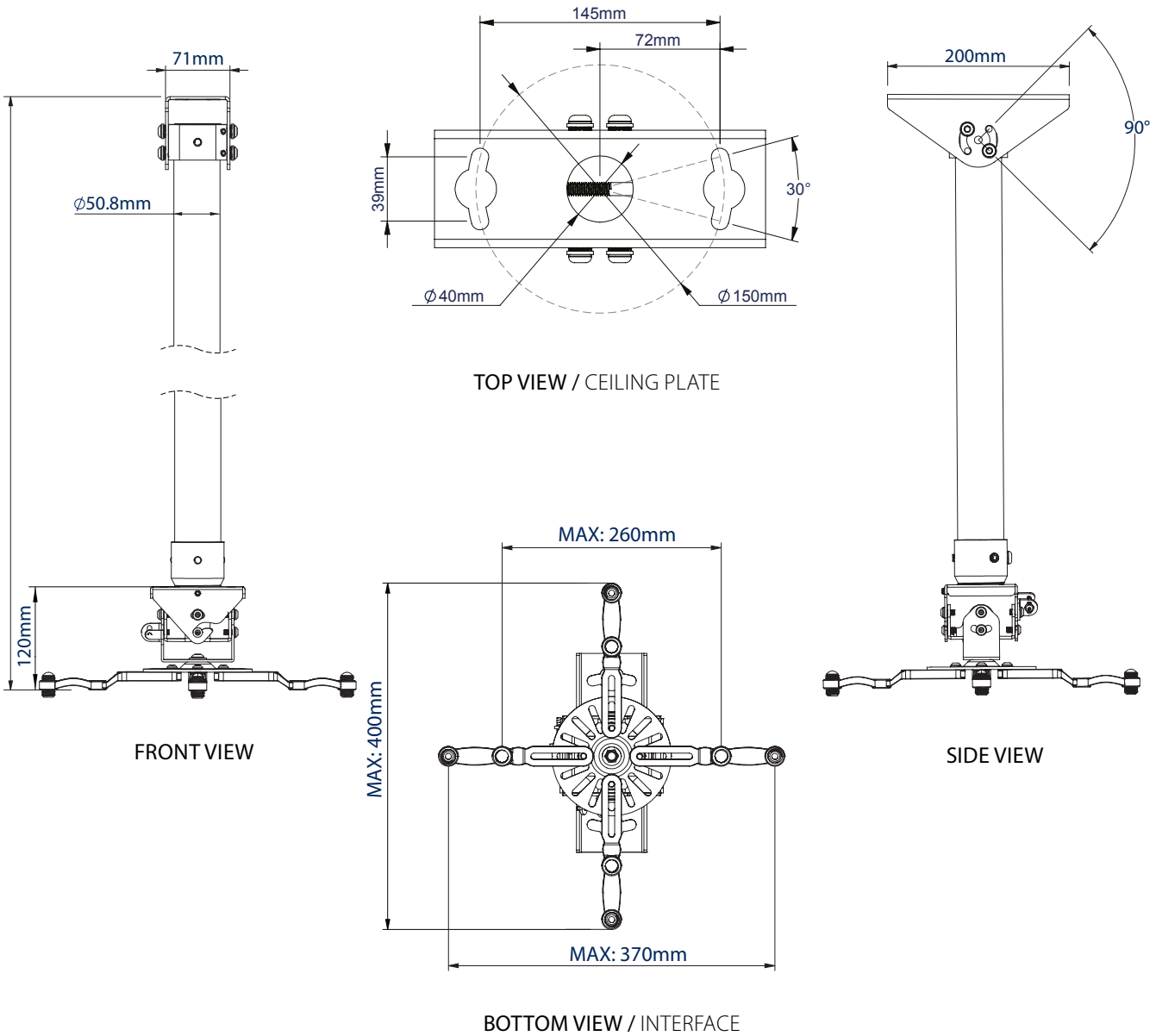


Ceiling plate can be mounted onto a ceiling with angles up to 90°



BT899-AD Projector Mount features an adjustable drop that allows users to easily adjust the height of the mount

BT899-FD025: 416mm / BT899-FD050: 654mm / BT899-FD100: 1154mm
 BT899-FD150: 1654mm / BT899-FD200: 2154mm / BT899-FD300: 3154mm



PACKING INFORMATION

ORIGINAL DESIGNS BY B-TECH AV MOUNTS - REGISTERED DESIGNS & PATENTS APPLY

ORDER REF:	LENGTH:	COLOUR:	EAN CODE:	MC QTY:	IC QTY:	MC WEIGHT:	MC CUBE:
BT899-FD025/BB	0.25m Pole	Black with Black pole	5019318761027	1 / 1	0 / 0	3.1kg / 0.50kg	0.00154cbm / 0.001cbm
BT899-FD025/BC	0.25m Pole	Black with Chrome pole	5019318761034	1 / 1	0 / 0	3.1kg / 0.50kg	0.00154cbm / 0.001cbm
BT899-FD050/BB	0.5m Pole	Black with Black pole	5019318761041	1 / 1	0 / 0	3.1kg / 0.98kg	0.00154cbm / 0.001cbm
BT899-FD050/BC	0.5m Pole	Black with Chrome pole	5019318761058	1 / 1	0 / 0	3.1kg / 0.98kg	0.00154cbm / 0.001cbm
BT899-FD100/BB	1m Pole	Black with Black pole	5019318761065	1 / 1	0 / 0	3.1kg / 1.93kg	0.00154cbm / 0.003cbm
BT899-FD100/BC	1m Pole	Black with Chrome pole	5019318761072	1 / 1	0 / 0	3.1kg / 1.93kg	0.00154cbm / 0.003cbm
BT899-FD150/BB	1.5m Pole	Black with Black pole	5019318761089	1 / 1	0 / 0	3.1kg / 3.09kg	0.00154cbm / 0.005cbm
BT899-FD150/BC	1.5m Pole	Black with Chrome pole	5019318761096	1 / 1	0 / 0	3.1kg / 3.09kg	0.00154cbm / 0.005cbm
BT899-FD200/BB	2m Pole	Black with Black pole	5019318761102	1 / 1	0 / 0	3.1kg / 3.83kg	0.00154cbm / 0.007cbm
BT899-FD200/BC	2m Pole	Black with Chrome pole	5019318761119	1 / 1	0 / 0	3.1kg / 3.83kg	0.00154cbm / 0.007cbm
BT899-FD300/BB	3m Pole	Black with Black pole	5019318761126	1 / 1	0 / 0	3.1kg / 5.79kg	0.00154cbm / 0.010cbm
BT899-FD300/BC	3m Pole	Black with Chrome pole	5019318761133	1 / 1	0 / 0	3.1kg / 5.79kg	0.00154cbm / 0.010cbm

© 2019 B-Tech AV Mounts. All rights reserved. The information in this specification is for reference only. B-Tech AV Mounts is a registered trademark of B-Tech AV Mounts. All other trademarks are the property of their respective owners. B-Tech AV Mounts is not responsible for any damage caused by misuse or modification of the product. Any reproduction or transmission of any part of this specification is expressly prohibited without prior written permission from B-Tech AV Mounts. Information last updated: 2019-08-19.

SS-V2-BT899-FD-060819