

**TOOL-LESS
ROTATION
& HEIGHT
ADJUSTMENT**

BT8567

FLAT SCREEN TROLLEY WITH HEIGHT ADJUSTMENT & FLIP ROTATION FOR SAMSUNG FLIP®



As part of B-Tech's Designer Trolley range, the BT8567 is a high-end mounting solution ideal for the use of touchscreen displays such as the Samsung Flip. The mount's rotational interface allows the user to easily rotate the display 90° for a smooth transition from landscape to portrait. The adjustable height feature is quick and easy to use without the need for tools and levelling screws are included for post-installation screen levelling. Cable management keeps finished installations looking neat and tidy. Non-marking, braked castors make repositioning quick and easy without marking or scuffing floor surfaces and AV components such as shelves can be fitted directly to the column to accessorise the install.

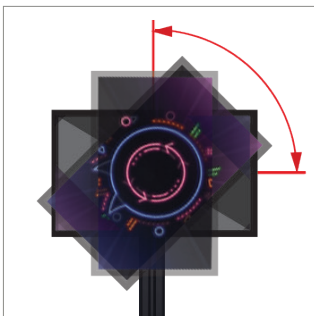
SPECIFICATION

Recommended screen size	37" - 70"
Weight range for BT8567-01	20-50kg
Weight range for BT8567-02	51-70kg
VESA® fixings	up to 600 x 400
Trolley dimensions	H: 1932* W: 1075 D: 863mm
Toolless height adjustment range	400mm
Rotation adjustment range	90°
Tilt	-4.5°
Colour options	Black, Black & Silver or White

*Measured from the floor to the top of the vertical column (including end cap)

FEATURES

- Rotational interface allows screens to be rotated from landscape to portrait (and vice versa) in one smooth transition
- Easy to use tool-less height adjustment
- Available in two options to suit a range of screen weights
- Rotation can be stopped or fixed at any angle between 0° and 90°
- 4.5° negative tilt provides an ergonomic, natural writing surface (ideal for Samsung Flip)
- Non-marking locking / braked castors
- Integrated cable management for a smart installation
- Safety screws help prevent unauthorised removal of screen
- Dual colour options available for a modern, contemporary look
- Simple 'hook-on' screen installation with all mounting hardware included



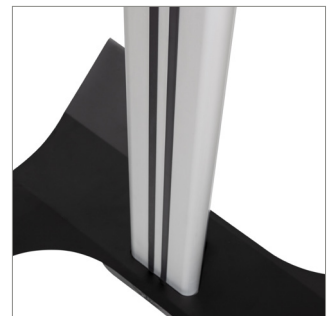
Rotational Interface allows screens to be rotated from landscape to portrait in one smooth transition



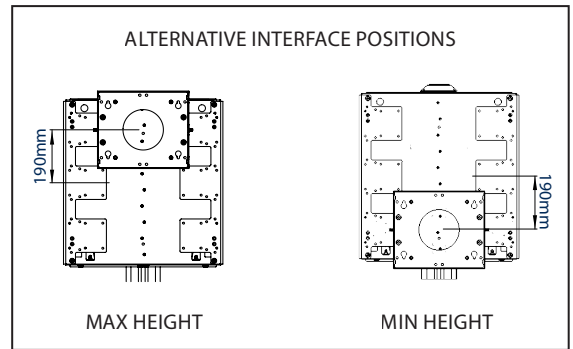
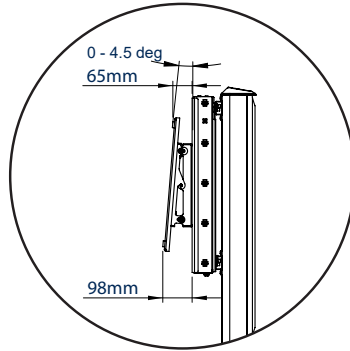
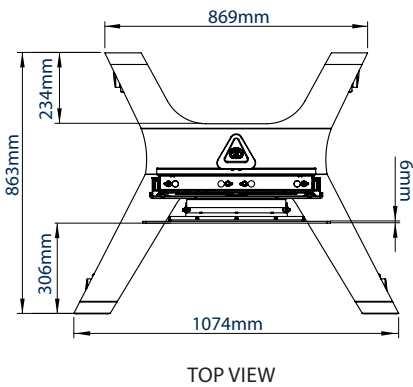
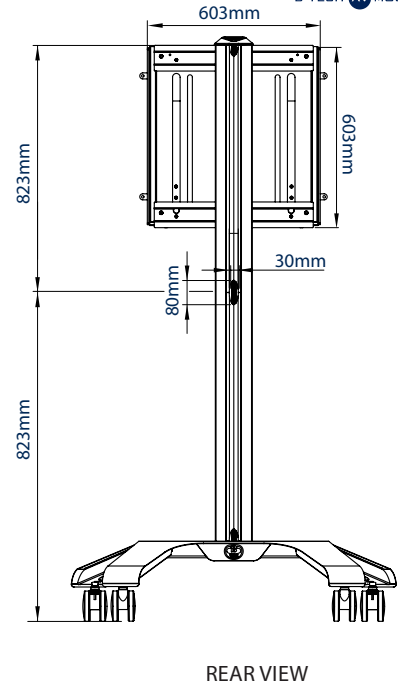
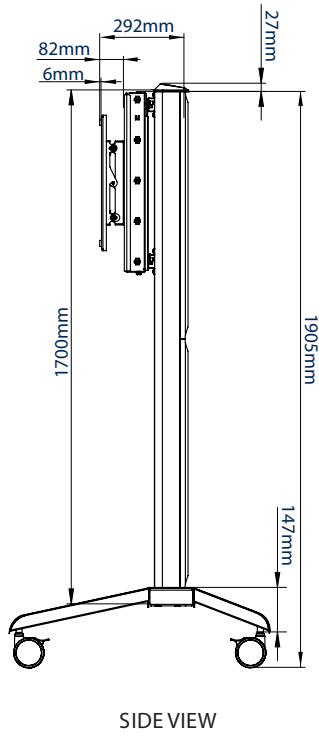
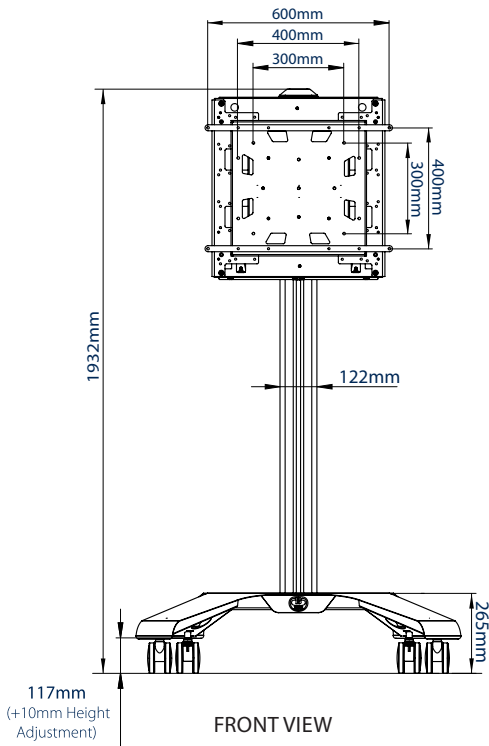
Easy to use tool-less height adjustment



-4.5° negative tilt provides an ergonomic, natural writing surface (ideal for Samsung Flip)



Dual colour options available for a modern, contemporary look



PACKING INFORMATION

PLEASE NOTE, THIS IS A 5 BOX ITEM

COLOUR:	ORDER REF:	EAN CODE:	MASTER CARTON WEIGHT:	MASTER CARTON CUBE:
Black	BT8567-01/BB	5019318302039	30kg / 8kg / 14kg / 12kg / 24kg	0.261cbm / 0.067cbm / 0.020cbm / 0.027cbm / 0.035cbm
Black & Silver	BT8567-01/BS	5019318302046	30kg / 8kg / 14kg / 12kg / 24kg	0.261cbm / 0.067cbm / 0.020cbm / 0.027cbm / 0.035cbm
White	BT8567-01/WW	5019318302053	30kg / 8kg / 14kg / 12kg / 24kg	0.261cbm / 0.067cbm / 0.020cbm / 0.027cbm / 0.035cbm
Black	BT8567-02/BB	5019318302060	30kg / 8kg / 14kg / 12kg / 24kg	0.261cbm / 0.067cbm / 0.020cbm / 0.027cbm / 0.035cbm
Black & Silver	BT8567-02/BS	5019318302077	30kg / 8kg / 14kg / 12kg / 24kg	0.261cbm / 0.067cbm / 0.020cbm / 0.027cbm / 0.035cbm
White	BT8567-02/WW	5019318302084	30kg / 8kg / 14kg / 12kg / 24kg	0.261cbm / 0.067cbm / 0.020cbm / 0.027cbm / 0.035cbm

ACCESSORIES AND RELATED PRODUCTS



AV Accessory Shelves can be fitted directly to the vertical column



Universal Flat Screen Trolley with Adjustable Height



Universal Flat Screen Trolley with Adjustable Height



Flat Screen Trolley with Flip Rotation

© 2016 B-Tech Av Mounts. All rights reserved. The information in this specification sheet reflects the current technical specifications at the time of print. We reserve the right to change the technical or physical specifications without prior notice. B-Tech Av Mounts and B-Tech logo are registered trademarks of B-Tech International Design & Manufacturing Ltd. B-Tech accepts no liability for loss or damage caused by improper or misuse of its products. Any reproduction or transmission or republishing of any part of this specification is expressly prohibited unless prior written permission has been granted by B-Tech International Design & Manufacturing Ltd. (B-Tech).

SS-V1.1-BT8567-181219