



CHOICE OF FIVE POLE LENGTHS

BT8424

UNIVERSAL FLAT SCREEN CEILING MOUNT WITH TILT

Designed to ceiling mount screens up to 50kg in either landscape or portrait orientation, the BT8424 is available in a choice of FIVE different drop lengths; 1m, 1.5m, 2m and 3m. The mount uses B-Tech's unique 'Torsion-Tilt' mechanism for easy tilt up to +/-15°. Levelling screws are included on the interface arms to finely adjust the screen height and locking screws help prevent unauthorised removal of the screen. Cover plates are supplied for a neat and tidy installation.

SPECIFICATION

Recommended screen size	up to 65"
Max load	50kg
VESA® & non-VESA fixings	up to 468 x 400mm
VESA® compatibility with included adaptors	up to 600 x 400
Tilt	+/-15°
Ceiling drop	0.5m, 1m, 1.5m, 2m or 3m*
Colour option (Ceiling plate & Ø50mm pole)	Black, White or Chrome

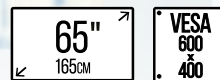
FEATURES

- Unique 'Torsion-tilt' mechanism for easy tool-less adjustment
- Lateral adjustment of screen once mounted
- Suitable for landscape or portrait mounting
- Arms feature levelling screws to adjust the screen height
- Security screws help prevent unauthorised removal of screens
- Poles are supplied with safety bolt and grub screws for a secure installation
- Integrated cable management
- Cover plate included for a smart installation
- Simple 'hook-on' installation with all mounting hardware included



Available in 5 pole lengths

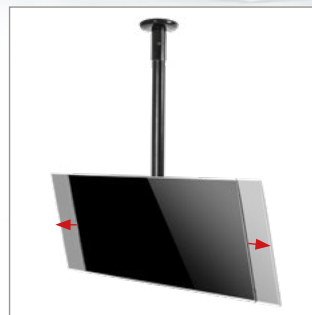
BT8424-050	0.5m Pole
BT8424-100	1m Pole
BT8424-150	1.5m Pole
BT8424-200	2m Pole
BT8424-300	3m Pole



Levelling screws allow adjustment of the screen height once mounted



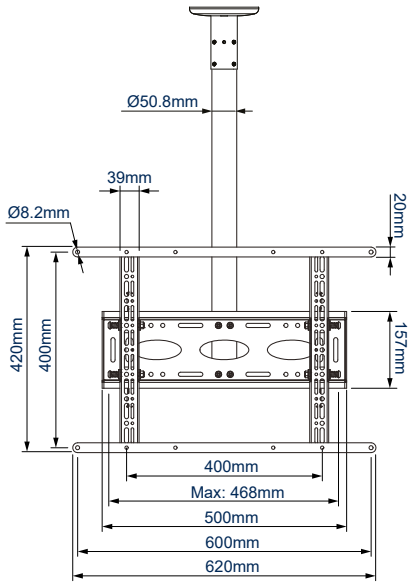
Security locking screws and Allen key provide a secure installation



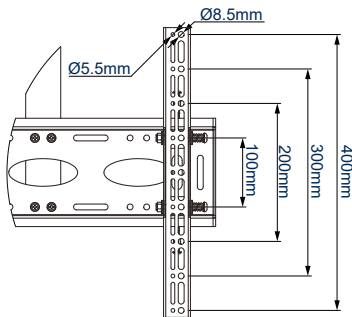
Post installation screen alignment for perfect screen positioning



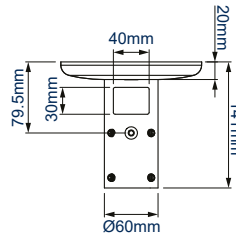
Maximum VESA fixing can be increased to 600mm using the included adaptor arms



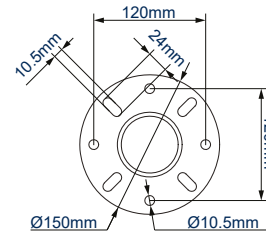
BT8424-150
FRONT VIEW WITH ADAPTOR ARMS



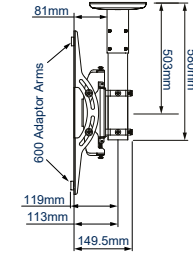
INTERFACE ARM
CLOSE UP VIEW



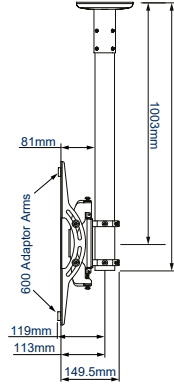
CEILING MOUNT
REAR VIEW



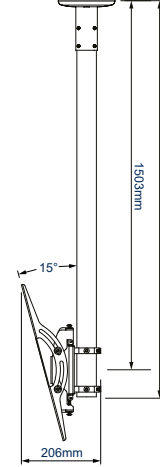
CEILING MOUNT
TOP VIEW



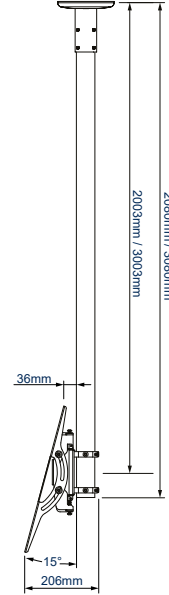
BT8424-050
SIDE VIEW - NO TILT



BT8424-100
SIDE VIEW - NO TILT



BT8424-150
SIDE VIEW - TILT DOWN



BT8424-200/300
SIDE VIEW - TILT UP

PACKING INFORMATION

THIS IS A 2 BOX ITEM

ORIGINAL DESIGN BY B-TECH - REGISTERED COMMUNITY DESIGN NO.: 002741256-0010 / 004038040-0021 / -0044

COLOUR:	ORDER REF:	EAN CODE:	MASTER CARTON QTY:	INNER CARTON QTY:	MASTER CARTON WEIGHT:	MASTER CARTON CUBE:
Black with Black Poles	BT8424-050/B	5019318087844	1 / 1	0 / 0	7.32kg	0.01cbm
Black with Chrome Poles	BT8424-050/BC	5019318087851	1 / 1	0 / 0	7.32kg	0.01cbm
Black with Black Poles	BT8424-100/B	5019318089800	1 / 1	0 / 0	7.48kg / 1.93kg	0.041cbm / 0.003cbm
Black with Chrome Poles	BT8424-100/C	5019318089855	1 / 1	0 / 0	7.48kg / 1.93kg	0.041cbm / 0.003cbm
Black with White Poles	BT8424-100/W	5019318302275	1 / 1	0 / 0	7.48kg / 1.93kg	0.041cbm / 0.003cbm
Black with Black Poles	BT8424-150/B	5019318089862	1 / 1	0 / 0	7.48kg / 3.09kg	0.041cbm / 0.005cbm
Black with Chrome Poles	BT8424-150/C	5019318089879	1 / 1	0 / 0	7.48kg / 2.89kg	0.041cbm / 0.005cbm
Black with White Poles	BT8424-150/W	5019318302282	1 / 1	0 / 0	7.48kg / 2.89kg	0.041cbm / 0.005cbm
Black with Black Poles	BT8424-200/B	5019318089886	1 / 1	0 / 0	7.48kg / 3.83kg	0.041cbm / 0.007cbm
Black with Chrome Poles	BT8424-200/C	5019318089893	1 / 1	0 / 0	7.48kg / 4.1kg	0.041cbm / 0.007cbm
Black with Black Poles	BT8424-300/B	5019318087325	1 / 1	0 / 0	7.48kg / 5.79kg	0.041cbm / 0.010cbm
Black with Chrome Poles	BT8424-300/C	5019318087332	1 / 1	0 / 0	7.48kg / 5.84 kg	0.041cbm / 0.010cbm

RELATED PRODUCTS



BT8426
Flat Screen Ceiling Mount with Adjustable drop and tilt for screens up to 65"



BT8428
Back-to-Back Flat Screen Ceiling Mount with Tilt for two screens up to 65"



BT8448
Extra-Large Flat Screen Ceiling Mount for screens over 65"



BT8552
Back-To-Back Flat Screen Display Stand for screens from 39" up to 65"

© 2016 B-Tech Av Mounts Ltd. All rights reserved. The information in this specification is subject to change without notice. This is a technical drawing and is not intended to be used for any other purpose. B-Tech Av Mounts Ltd. is not responsible for any damage or loss caused by improper or misuse of the product. Any reproduction or modification of any part of this specification is strictly prohibited unless prior written permission has been granted by B-Tech Av Mounts Ltd. (B-Tech Av Mounts Ltd. is a registered trademark of B-Tech Av Mounts Ltd. in the UK and other countries.)